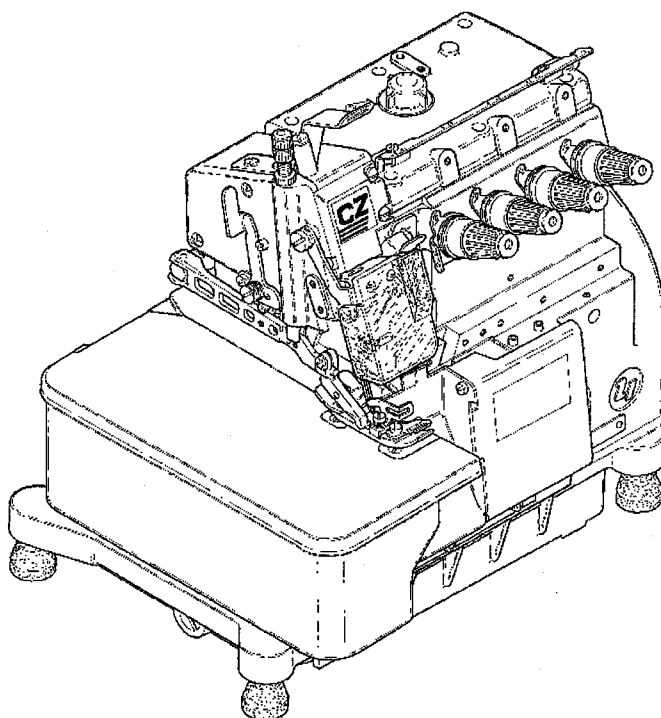


Yamato[®]

Parts List

HIGHT SPEED OVERLOCK STITCH MACHINE

CZ6000



MODELS & DEVICES

**CZ6000
CZ6020
CZ6125**

**CZ6003
CZ6025**

**CZ6016
CZ6120**

**CZ6016-61
CZ6120-40**

K2

B3

MT22



YAMATO SEWING MACHINE MFG. CO., LTD.

本零件号码表的查阅方法

本零件号码列表以 CZ6025-Y□DF, X□DF (CZ6020-Y□DF, X□DF) 为基本型插图。

项目 14 以下记载了下属机型及附属装置。

本零件号码表中接管的尺寸为内径 × 外径 × 宽度。

连接器处的数字为接头部的大小。

符号说明

[] 表示相对旧版零件号码表，在本版零件表中此零件有变动。

[] 内为旧零件号码及螺丝类的形状。

◆表示相对旧版零件号码表，在本版零件表中追加了此零件或机型。

订购零件时的注意事项

☆如需订货，请告知 PARTS No. (零件号码) (例如 6200066)。

☆订购气管时，请告知零件号码及长度。

本零件号码列表之记载事项，如有改良随时更改。以实际产品为准，恕不另行通知。

How to use this Parts List

The illustrations in this Parts List are drawn on the basis of CZ6025-Y□DF, X□DF (CZ6020-Y□DF, X□DF) .

The items from No.1 to No.13 relate to the standard model.

The items after No.14 relate to the submodel and device.

The dimension of collar in this Parts List is shown as inside diameter × outside diameter × width.

Number beside connector shows size of joint.

Mark explanation

[] means this part is changed from the previous Parts List.

Inside of [] shows the previous Part No. and the shape of screw or the like.

◆ means this part or model is newly added in this Parts List.

How to place an order for the parts

☆ When placing an order, please tell us Parts No. (e. g. 6200066).

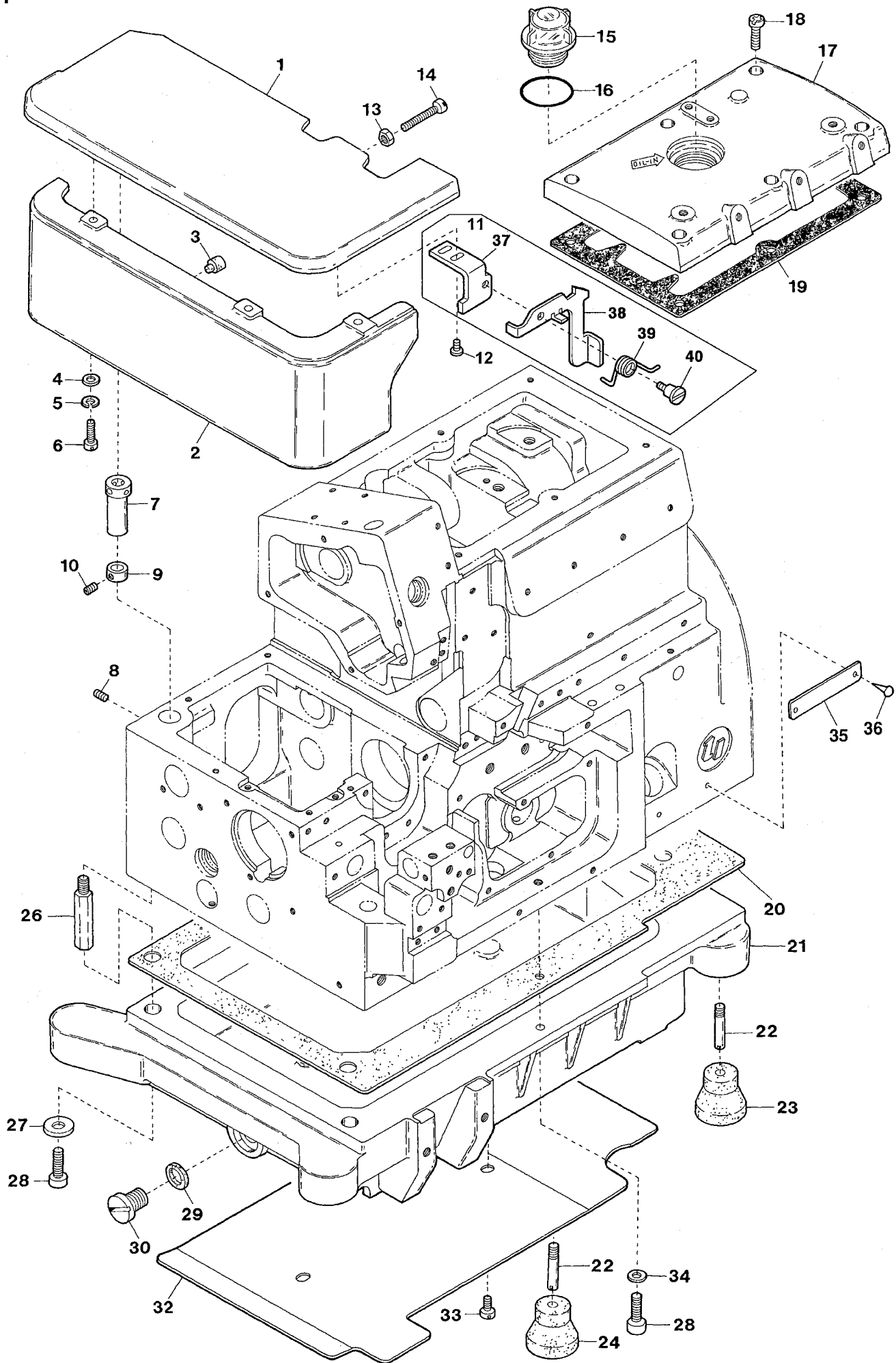
☆ For Air tube, please inform us of the part No. and the length.

This Parts List is subject to change for improvement without notice.

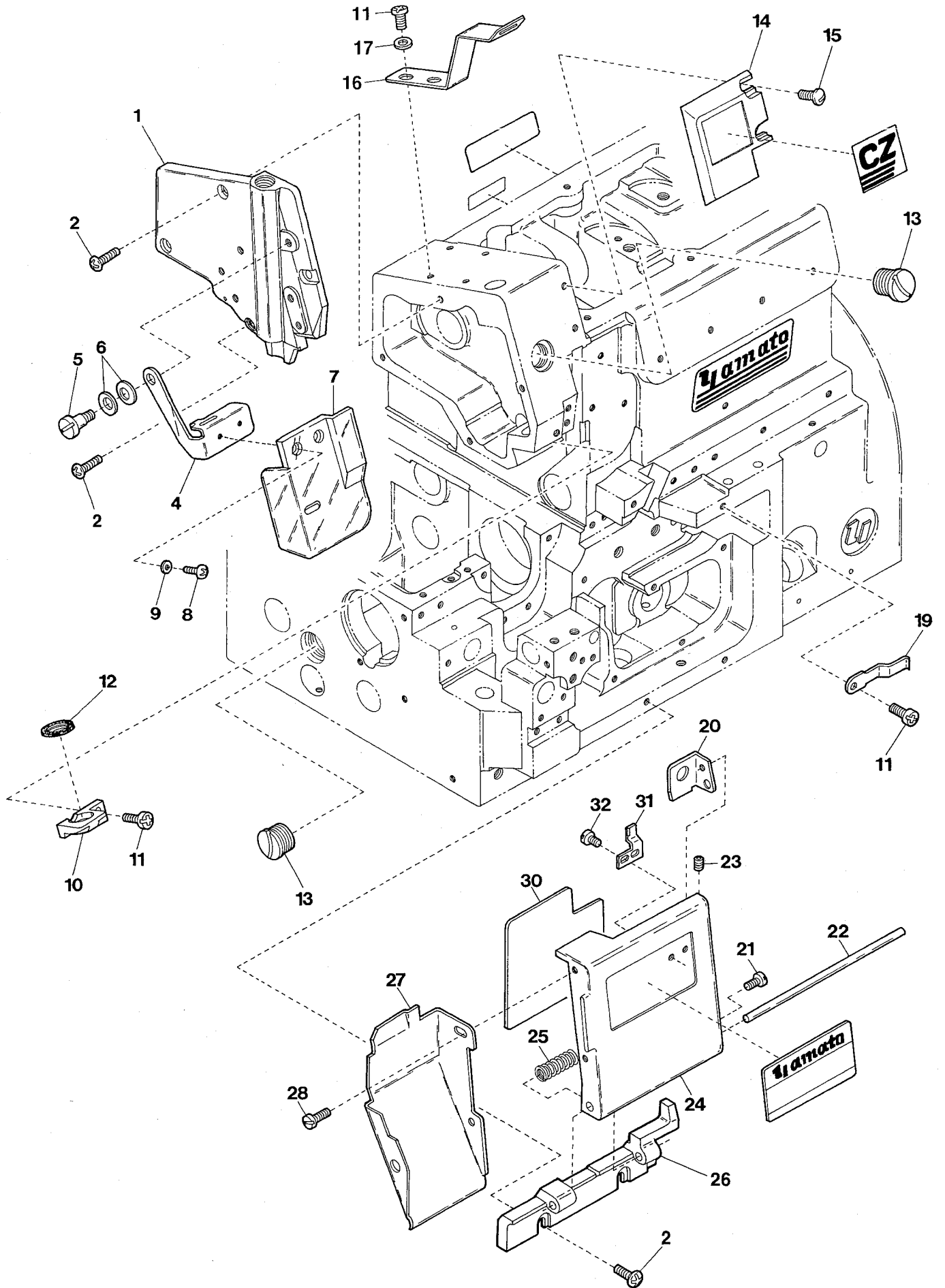
Contents

目次

| | | |
|--|--------------|----|
| MISCELLANEOUS COVERS(1) | カバー関係(1) | 1 |
| MISCELLANEOUS COVERS(2) | カバー関係(2) | 2 |
| MISCELLANEOUS COVERS(3) | カバー関係(3) | 3 |
| MISCELLANEOUS THREAD EYELETS | 糸道関係 | 4 |
| MISCELLANEOUS CRANKSHAFT & BUSHINGS | 主軸及びブッシュ関係 | 5 |
| NEEDLE BAR DRIVING MECHANISM | 針棒機構 | 6 |
| KNIFE DRIVING MECHANISM | メス機構 | 7 |
| PRESSER FOOT MECHANISM | 押工機構 | 8 |
| UPPER LOOPER DRIVING MECHANISM | 上ルーパ機構 | 9 |
| LOWER LOOPER DRIVING MECHANISM | 下ルーパ機構 | 10 |
| FEED DRIVING CONTROL MECHANISM | 前送り調節機構 | 11 |
| FEED DRIVING MECHANISM | 送り機構 | 12 |
| LUBRICATING MECHANISM | 給油機構 | 13 |
| CZ6000 EXCLUSIVE PARTS | サブモデル専用部品 | 14 |
| CZ6003 EXCLUSIVE PARTS | サブモデル専用部品 | 15 |
| CZ6016 EXCLUSIVE PARTS | サブモデル専用部品 | 16 |
| CZ6016-61 EXCLUSIVE PARTS | サブモデル専用部品 | 17 |
| CZ6120, 6120-40, 6125 EXCLUSIVE PARTS(1) | サブモデル専用部品(1) | 18 |
| CZ6120, 6120-40, 6125 EXCLUSIVE PARTS(2) | サブモデル専用部品(2) | 19 |
| K2 DEVICE(1) | K2 装置(1) | 20 |
| K2 DEVICE(2) | K2 装置(2) | 21 |
| B3 DEVICE | B3 装置 | 22 |
| MT22 DEVICE(1) | MT22 装置(1) | 23 |
| MT22 DEVICE(2) | MT22 装置(2) | 24 |
| MISCELLANEOUS SUPPORTING BOARD | 受け板関係 | 25 |
| THREAD STAND | 糸立台 | 26 |
| WARNING LABEL | 警告ラベル | 27 |

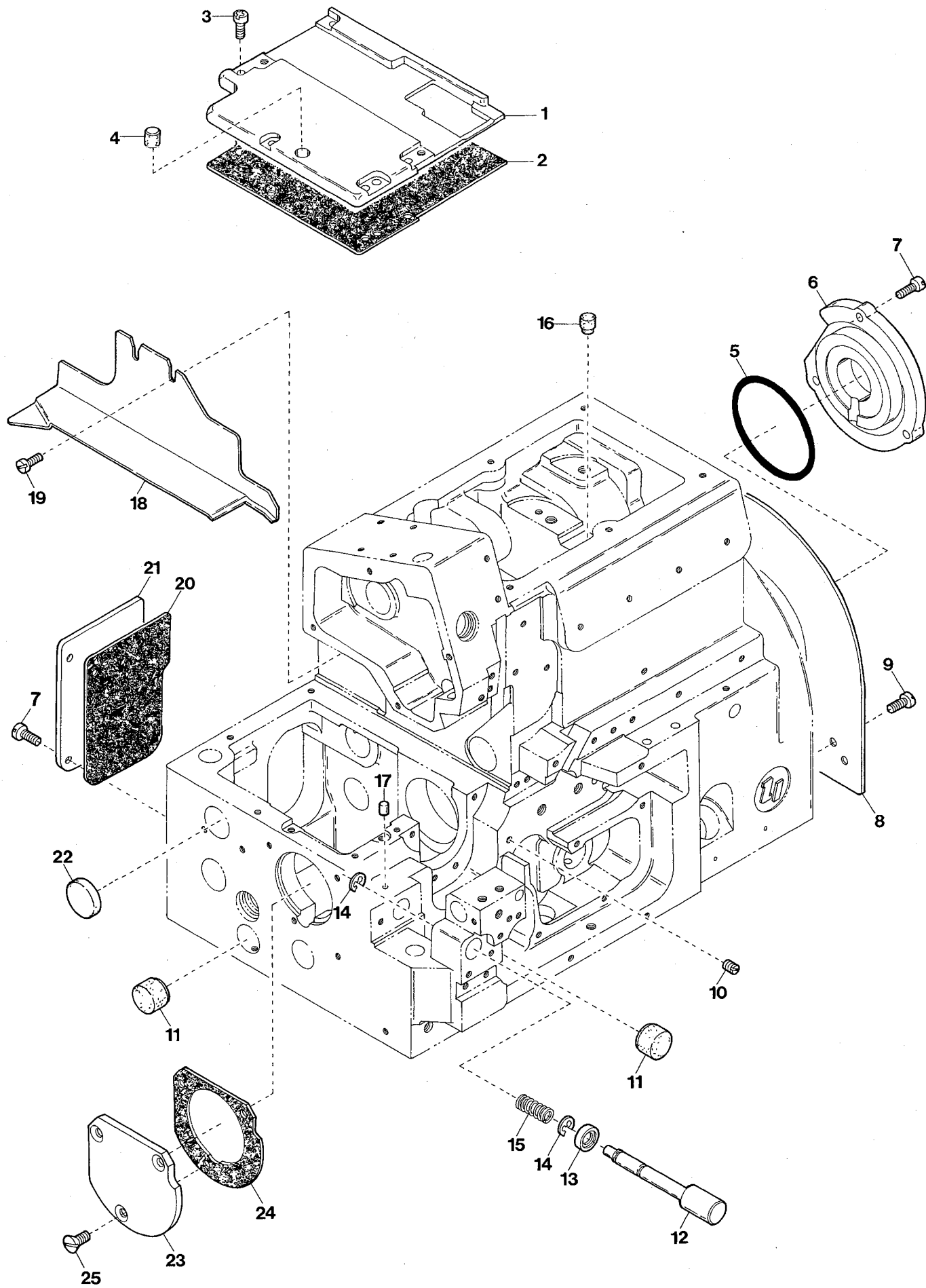


| Ref.No | Parts No. | Description | 品名 | Amt. Req |
|--------|-----------|--|---------------|----------|
| 1 | 6200066 | Cloth Plate | クロスプレート | 1 |
| 2 | 6200302 | Cloth Plate(Lower) | クロスプレート(下) | 1 |
| 3 | 6200072 | Rubber Cushion | クロスプレート(下)埋メ座 | 1 |
| 4 | 001123 | Washer | ワッシャ | 3 |
| 5 | 000644 | Spring Washer | スプリングワッシャ | 3 |
| 6 | 110045 | Screw(M4-0.7 × 12) | 止ネジ | 3 |
| 7 | 6200070 | Cloth Plate Eccentric Bushing | エキセンブッシュ | 1 |
| 8 | 160001 | Screw(M4-0.7 × 4) | 止ネジ | 1 |
| 9 | 6200071 | Collar(4 × 9 × 6mm) | カラー | 1 |
| 10 | 003637 | Screw(1/8-44 × 2.5) | 止ネジ | 1 |
| 11 | 6200529 | Cloth Plate Latch, C. Set | 開閉レバー(組) | 1 |
| 12 | 110073 | Screw(M4-0.7 × 5) | 止ネジ | 2 |
| 13 | 100001 | Lock Nut | ロックナット | 1 |
| 14 | 110031 | Stop Screw(M4-0.7 × 12) | ストップネジ | 1 |
| 15 | 6200015 | Oil Cap | オイルキャップ | 1 |
| 16 | 6200016 | O-ring(P28) | Oリング | 1 |
| 17 | 6200078 | Top Cover | 上カバー | 1 |
| 18 | 110016 | Screw(M4-0.7 × 15) | 止ネジ | 6 |
| 19 | 6200228 | Top Cover Gasket | 上カバーパッキン | 1 |
| 20 | 6200172 | Oil Reservoir Gasket | 油受ケパッキン | 1 |
| 21 | 6200309 | Oil Reservoir | 油受ケ | 1 |
| 22 | 006816 | Screw(1/4-24 × 8) | 止ネジ | 4 |
| 23 | 6200029 | OilReservoirRubberCushion(Black-colored) | 防振ゴム(黒色) | 3 |
| 24 | 6200033 | OilReservoirRubberCushion(Green-colored) | 防振ゴム(緑色) | 1 |
| 25 | | | | |
| 26 | 6200182 | Oil Reservoir Positioning Bar | 油受ケ固定棒 | 4 |
| 27 | 300004 | Washer | ワッシャ | 4 |
| 28 | 120017 | Screw(M5-0.8 × 15) | 止ネジ | 6 |
| 29 | 6100029 | Drain Hole Seal | パッキン | 1 |
| 30 | 005075 | Drain Hole Screw(3/8-24 × 8) | 油抜キネジ | 1 |
| 31 | | | | |
| 32 | 6200512 | Wind Guide Plate | 風案内板 | 1 |
| 33 | 110013 | Screw(M4-0.7 × 8) | 止ネジ | 2 |
| 34 | 300043 | Washer | ワッシャ | 2 |
| 35 | 6209401 | Serial Number Plate | 機番プレート | 1 |
| 36 | 000726 | Rivet | 止メ鋌 | 2 |
| 37 | 6200530 | Cloth Plate Latch Holder | 開閉レバー台 | 1 |
| 38 | 6200531 | Cloth Plate Latch | 開閉レバー | 1 |
| 39 | 6200532 | Cloth Plate Latch Spring | 開閉レバーバネ | 1 |
| 40 | 170067 | Screw(M5-0.8 × 6) | 止ネジ | 1 |

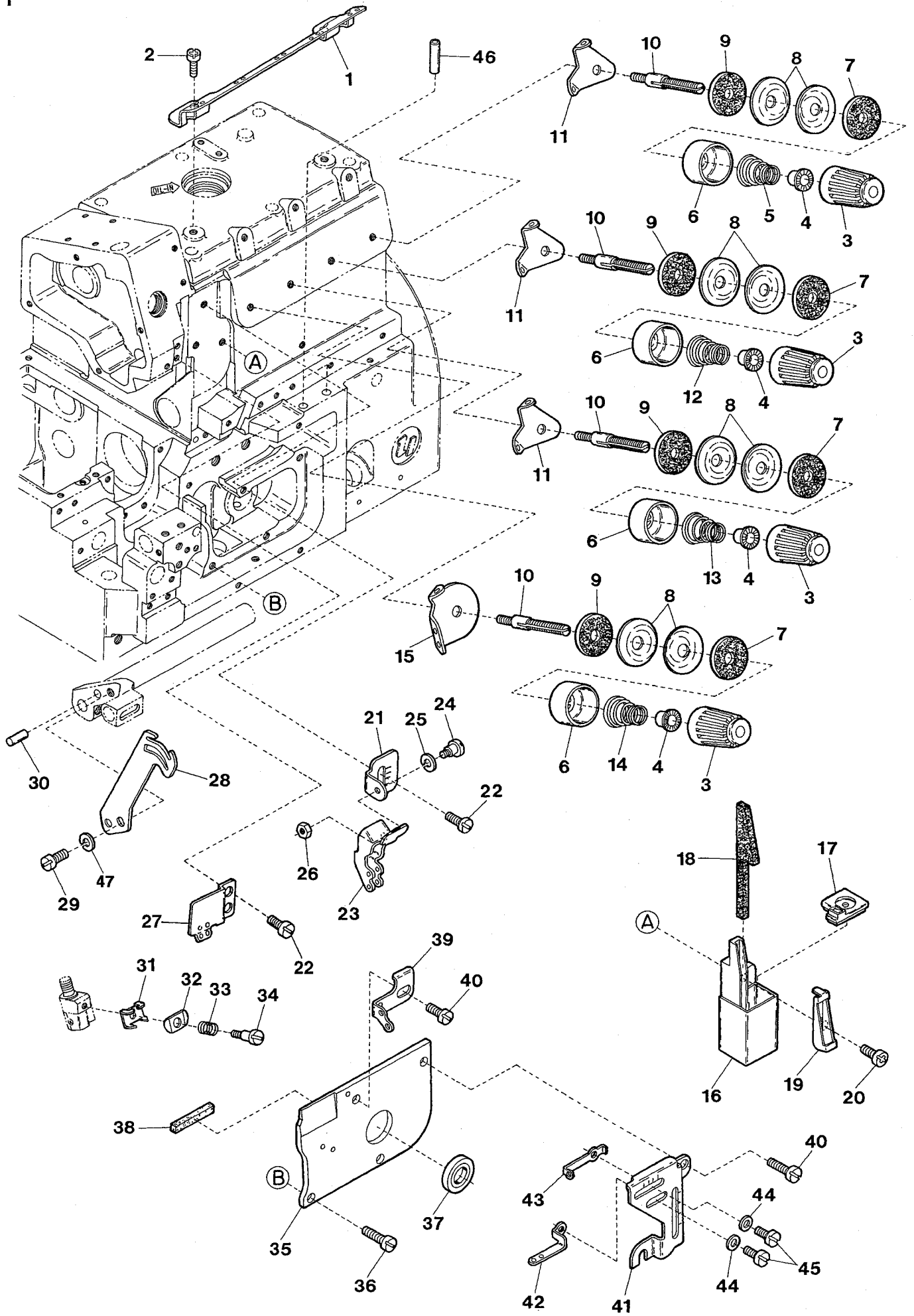


| Ref.No | Parts No. | Description | 品名 | Amt. Req |
|--------|-----------|--------------------------------|-------------|----------|
| 1 | 6200465 | Side Cover | 側面カバー | 1 |
| 2 | 110013 | Screw(M4-0.7 × 8) | 止ネジ | 6 |
| 3 | | | | |
| 4 | 6200220 | Eye Guard Holder | アイガード板 | 1 |
| 5 | 170032 | Screw(M4-0.7 × 5) | 止ネジ | 1 |
| 6 | 000010 | Conical Spring Washer | 皿パネワッシャ | 2 |
| 7 | 6200285 | Eye Guard | アイガード | 1 |
| 8 | 110076 | Screw(M3-0.5 × 6) | 止ネジ | 2 |
| 9 | 000444 | Washer | ワッシャ | 2 |
| 10 | 6200225 | Needle Bar Oil Defender | 針棒油受け | 1 |
| 11 | 110012 | Screw(M4-0.7 × 5) | 止ネジ | 4 |
| 12 | 6200226 | Needle Bar Oil Seal | 針棒シール | 1 |
| 13 | 190015 | Screw(M14-2 × 6) | 止ネジ | 2 |
| 14 | 6200227 | Logo Plate | ロゴマーク板 | 1 |
| 15 | 110106 | Screw(M4-0.7 × 8) | 止ネジ | 2 |
| 16 | 6200375 | Tape Guide(Upper) | テープガイド(上) | 1 |
| 17 | 000538 | Washer | ワッシャ | 2 |
| 18 | | | | |
| 19 | 6200159 | Front Cover Latch Spring | 前開キカバーラッチバネ | 1 |
| 20 | 6200027 | Front Cover Hook | 前開キカバーフック | 1 |
| 21 | 001203 | Screw(9/64-40 × 4.5) | 止ネジ | 1 |
| 22 | 6200017 | Front Cover Hinge Pin | 前開キカバーヒンジピン | 1 |
| 23 | 003637 | Screw(1/8-44 × 2.5) | 止ネジ | 2 |
| 24 | 6200073 | Front Cover(Right) | 前開キカバー | 1 |
| 25 | 6200024 | Front Cover Hinge Spring | 前開キカバーヒンジバネ | 1 |
| 26 | 6200310 | Front Cover Hinge | 前開キカバーヒンジ | 1 |
| 27 | 6200156 | Chip Guard(Openable) | 切屑落シ板 | 1 |
| 28 | 110003 | Screw(M3.5-0.6 × 6) | 止ネジ | 2 |
| 29 | | | | |
| 30 | ----- | Threading Chart(See the Table) | 糸通シ図(下表参照) | 1 |
| 31 | 6200170 | Front Cover Latch | 前開キカバーラッチ | 1 |
| 32 | 110054 | Screw(M3-0.5 × 3.5) | 止ネジ | 2 |

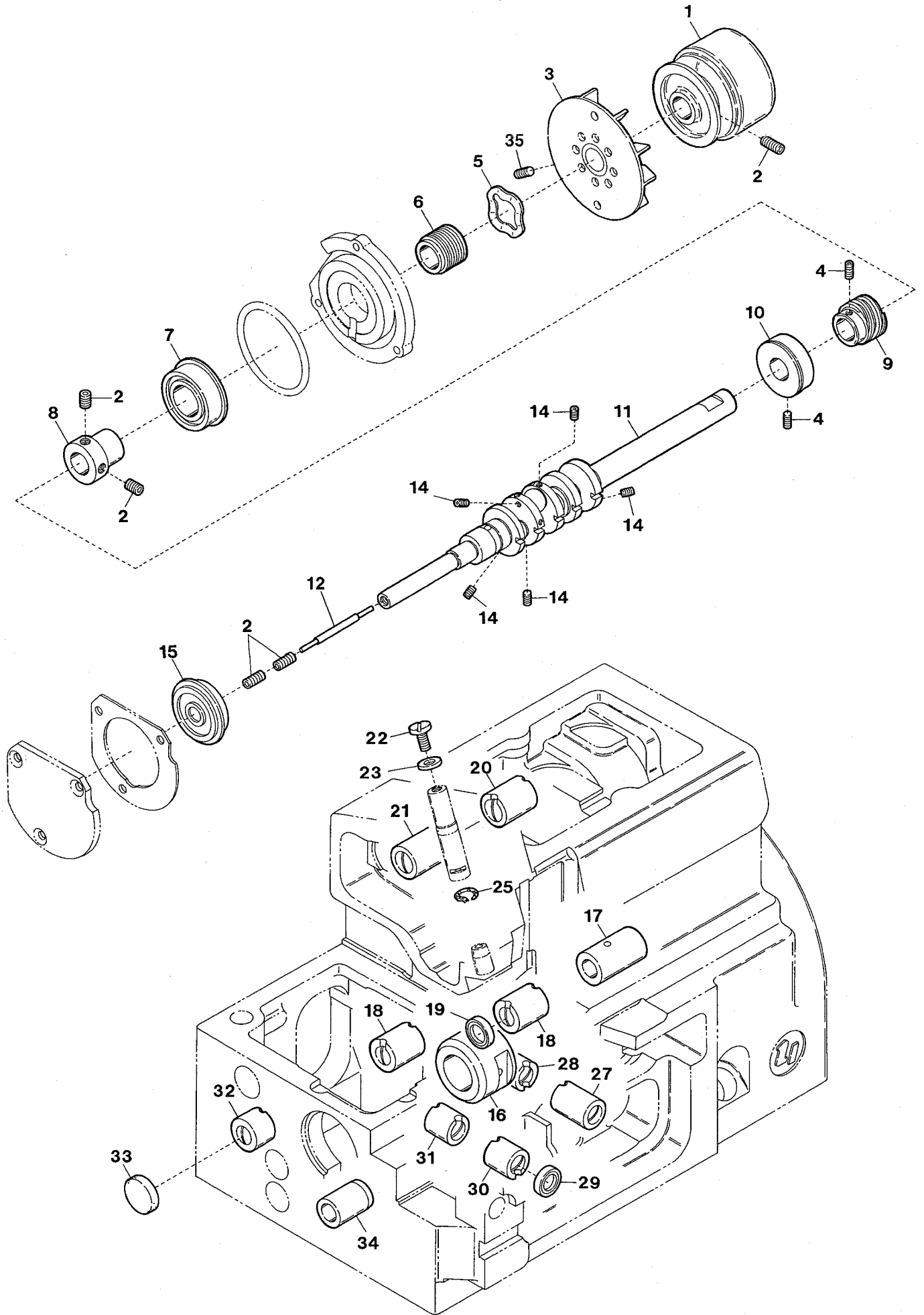
| Models | Parts No. Threading Chart |
|--------|------------------------------|
| CZ6000 | 390662 |
| CZ6003 | 390662 |
| CZ6016 | 390662 |
| CZ6020 | 390660 |
| CZ6025 | 390660 |



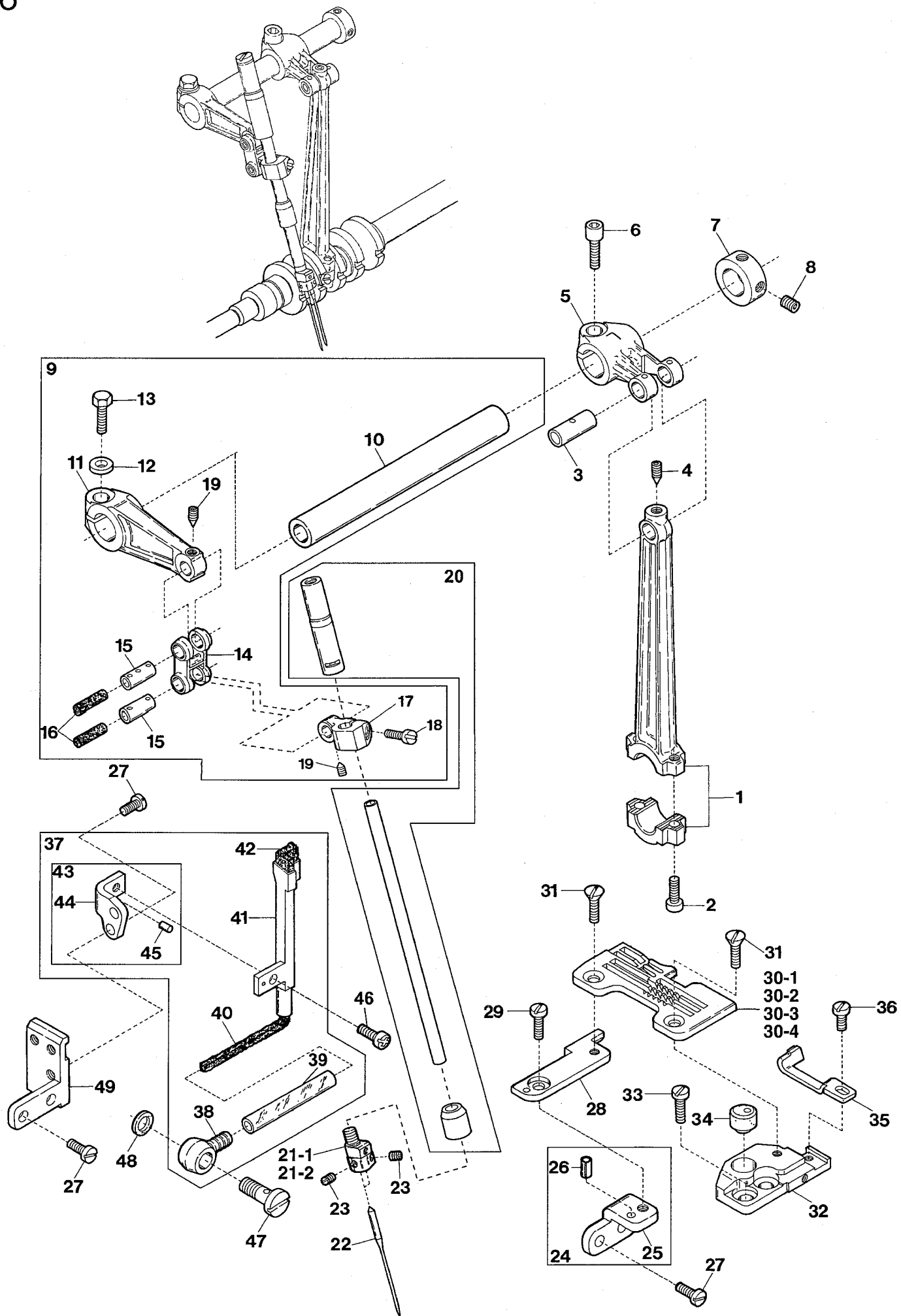
| Ref.No | Parts No. | Description | 品名 | Amt. Req |
|--------|-----------|-----------------------------|------------|----------|
| 1 | 6200075 | Feed Mechanism Cover | 送リ上カバー | 1 |
| 2 | 6200192 | Feed Mechanism Cover Gasket | 送リ上カバーパッキン | 1 |
| 3 | 110048 | Screw(M4-0.7 × 10) | 止ネジ | 5 |
| 4 | 6200077 | Rubber Cushion | 埋メ座(中) | 1 |
| 5 | 6200212 | O-ring(P52) | Oリング | 1 |
| 6 | 6200211 | Ball Bearing Holder | ベアリング押エ | 1 |
| 7 | 110013 | Screw(M4-0.7 × 8) | 止ネジ | 7 |
| 8 | 6200511 | Fan Cover | ファンカバー | 1 |
| 9 | 110012 | Screw(M4-0.7 × 5) | 止ネジ | 2 |
| 10 | 150004 | Screw(M4-0.7 × 6) | 止ネジ | 1 |
| 11 | 6200209 | Seal Plug | 詰栓 | 2 |
| 12 | 6200224 | Pushbutton | プッシュボタン | 1 |
| 13 | 6200171 | Oil Seal | オイルシール | 1 |
| 14 | 6100333 | Retaining Ring | ストップリング | 2 |
| 15 | 6200036 | Pushbutton Spring | プッシュボタンバネ | 1 |
| 16 | 330008 | Seal Plug | 詰栓 | 1 |
| 17 | 330000 | Seal Plug | 詰栓 | 1 |
| 18 | 6200219 | Fabric Guide Plate | 布案内板 | 1 |
| 19 | 110064 | Screw(M4-0.7 × 8) | 止ネジ | 2 |
| 20 | 6200191 | Tail Cover Gasket | 後カバーパッキン | 1 |
| 21 | 6200076 | Tail Cover | 後カバー | 1 |
| 22 | 6200259 | Seal Plug | 詰栓 | 1 |
| 23 | 6200180 | Ball Bearing Housing | ハウジング | 1 |
| 24 | 6200181 | Ball Bearing Housing Gasket | ハウジングパッキン | 1 |
| 25 | 130003 | Screw(M4-0.7 × 7.3) | 止ネジ | 3 |



| Ref.No | Parts No. | Description | 品名 | Amt. Req |
|--------|-----------|---------------------------------------|--------------|----------|
| 1 | 6200079 | Thread Guide Plate | 糸案内板 | 1 |
| 2 | 110013 | Screw(M4-0.7 × 8) | 止ネジ | 2 |
| 3 | 6100056 | Thread Tension Spring Cap | 糸調子バネキャップ(上) | 4 |
| 4 | 6100057 | Tension Spring Bushing | 糸調子ナット回り止メ | 4 |
| 5 | 6200026 | Lower Looper Thread Tension Spring | 下ルーパ糸調子バネ | 1 |
| 6 | 6200019 | Thread Tension Spring Retainer | 糸調子バネキャップ(下) | 4 |
| 7 | 000178 | Felt | フェルト | 4 |
| 8 | 6100062 | Tension Disc | 糸調子皿 | 8 |
| 9 | 000177 | Felt | フェルト | 4 |
| 10 | 190016 | Tension Post(Short) | 糸調子棒(短) | 4 |
| 11 | 6200031 | Tension Disc Eyelet | 糸調子台糸道 | 3 |
| 12 | 6100059 | Upper Looper Thread Tension Spring | 上ルーパ糸調子バネ | 1 |
| 13 | 6200032 | Needle Thread Tension Spring | 針糸調子バネ | 1 |
| 14 | 6200025 | Needle Thread Tension Spring | 針糸調子バネ | 1 |
| 15 | 6200277 | Tension Disc Eyelet for Needle Thread | 針糸調子台糸道 | 1 |
| 16 | 6200447 | Oil Container | SPタンク | 1 |
| 17 | 6200448 | Oil Container Plug | 詰栓 | 1 |
| 18 | 310105 | Felt | SPフェルト | 1 |
| 19 | 6200449 | Felt Holder | SPフェルト押工 | 1 |
| 20 | 110013 | Screw(M4-0.7 × 8) | 止ネジ | 1 |
| 21 | 6200284 | Needle Thread Eyelet Holder | 針糸道取付板 | 1 |
| 22 | 110001 | Screw(M4-0.7 × 5.4) | 止ネジ | 3 |
| 23 | 6200276 | Needle Thread Eyelet(Right) | 針糸道(右) | 1 |
| 24 | 006035 | Screw(9/64-40 × 7) | 止ネジ | 1 |
| 25 | 000644 | Spring Washer | スプリングワッシャ | 1 |
| 26 | 000322 | Nut | ナット | 1 |
| 27 | 6200275 | Needle Thread Eyelet(Left) | 針糸道(左) | 1 |
| 28 | 6200272 | Needle Thread Pull-off | 針糸繰り | 1 |
| 29 | 110064 | Screw(M4-0.7 × 8) | 止ネジ | 1 |
| 30 | 000653 | Knock Pin | ノックピン | 1 |
| 31 | 6200466 | Thread Retainer Plate Support | 小調子板 | 1 |
| 32 | 6200467 | Thread Retainer Plate | 小調子皿 | 1 |
| 33 | 6200468 | Thread Retainer Spring | 小調子皿バネ | 1 |
| 34 | 170060 | Screw(M2.5-0.45 × 4) | 止ネジ | 1 |
| 35 | 6200229 | Looper Crank Cover | ルーパクランクカバー | 1 |
| 36 | 110009 | Screw(M4-0.7 × 8) | 止ネジ | 1 |
| 37 | 6100111 | Looper Driving Shaft Oil Seal | ルーパ軸オイルシール | 1 |
| 38 | 6200164 | Spacer(Rubber) | スペーサ | 1 |
| 39 | 6200280 | Looper Thread Eyelet(Left) | ルーパ糸道(左) | 1 |
| 40 | 110035 | Screw(M4-0.7 × 10) | 止ネジ | 3 |
| 41 | 6200283 | Thread Eyelet Support | 糸道取付板 | 1 |
| 42 | 6200282 | Lower Looper Thread Eyelet | 下ルーパ糸道 | 1 |
| 43 | 6200439 | Upper Looper Thread Eyelet | 上ルーパ糸道 | 1 |
| 44 | 000014 | Washer | ワッシャ | 2 |
| 45 | 110026 | Screw(M3-0.5 × 6) | 止ネジ | 2 |
| 46 | 6200023 | Looper Thread Pipe | 糸道パイプ | 2 |
| 47 | 000644 | Spring Washer | スプリングワッシャ | 1 |

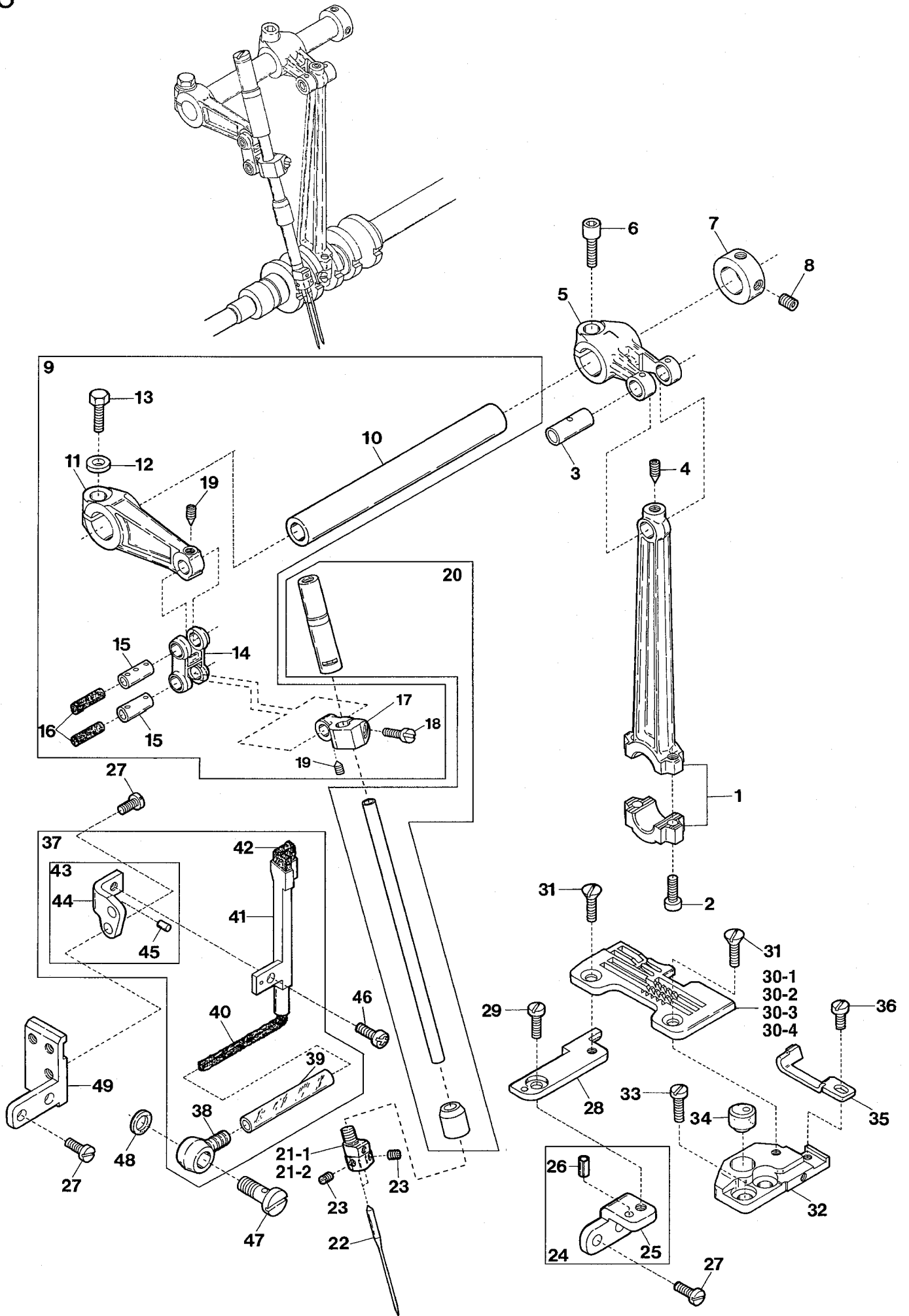


| Ref.No | Parts No. | Description | 品名 | Amt. Req |
|--------|-------------------|--|----------------|----------|
| 1 | 6200305 | Machine Pulley | ミシンプーリ | 1 |
| 2 | 160007 | Screw(M6-1 × 6) | 止ネジ | 6 |
| 3 | 6200477 | Oil Cooling Fan | 冷却ファン | 1 |
| 4 | 160001 | Screw(M4-0.7 × 4) | 止ネジ | 3 |
| 5 | 6200214 | Wave Washer | 波形ワッシャ | 1 |
| 6 | 6200213 | Mechanical Oil Shield | 油切り | 1 |
| 7 | 6100622 | Crankshaft Ball Bearing(Right) | ボールベアリング(右) | 1 |
| 8 | 6100127 | Bearing Adapter | ベアリング受ケ | 1 |
| 9 | 6200268 | Oil Pump Driving Worm | ウォーム | 1 |
| 10 | 6200373 | Crankshaft Bushing | 中ブッシュ | 1 |
| 11 | 6200270 | Crankshaft | クランクシャフト | 1 |
| 12 | 6200560 | Pin | 油量制限ピン | 1 |
| 13 | | | | |
| 14 | 160027 | Screw(M3-0.5 × 3) | 詰ネジ | 5 |
| 15 | 6200179 | Crankshaft Ball Bearing(Left) | ボールベアリング(左) | 1 |
| 16 | 6200569 [6200234] | Crankshaft Bushing | 小ブッシュ | 1 |
| 17 | 6200083 | Upper Knife Driving Shaft Bushing(Right) | 上メス軸ブッシュ(右) | 1 |
| 18 | 6200238 | Upper Knife · Feed Bar Driving Shaft Bushing | 上メス軸 · 送り軸ブッシュ | 2 |
| 19 | 6200084 | Upper Knife Driving Shaft Oil Seal | 上メス軸オイルシール | 1 |
| 20 | 6200244 | Needle Bar Driving Shaft Bushing(Right) | 針棒クランク軸ブッシュ(右) | 1 |
| 21 | 6200243 | Needle Bar Driving Shaft Bushing(Left) | 針棒クランク軸ブッシュ(左) | 1 |
| 22 | 003636 | Cap Screw(5/16-32 × 3.5) | 蓋ネジ | 1 |
| 23 | 000526 | Gasket | パッキン | 1 |
| 24 | | | | |
| 25 | 310109 | Oil Wick | 油芯 | 1 |
| 26 | | | | |
| 27 | 6200241 | Upper Looper Driving Shaft Bushing(Front) | 上ルーパ軸ブッシュ(前) | 1 |
| 28 | 6200242 | Upper Looper Driving Shaft Bushing(Rear) | 上ルーパ軸ブッシュ(後) | 1 |
| 29 | 6200132 | Looper Driving Shaft Oil Seal | ルーパ軸オイルシール | 1 |
| 30 | 6200239 | Lower Looper Driving Shaft Bushing(Front) | 下ルーパ軸ブッシュ(前) | 1 |
| 31 | 6200240 | Lower Looper Driving Shaft Bushing(Rear) | 下ルーパ軸ブッシュ(後) | 1 |
| 32 | 6200237 | Feed Bar Driving Shaft Bushing(Left) | 送り軸ブッシュ(左) | 1 |
| 33 | 6200259 | Seal Plug | 詰栓 | 1 |
| 34 | 6200081 | Control Lever Shaft Bushing | 送り調節レバー軸ブッシュ | 1 |
| 35 | 160001 | Screw(M4-0.7 × 4) | 止ネジ | 2 |

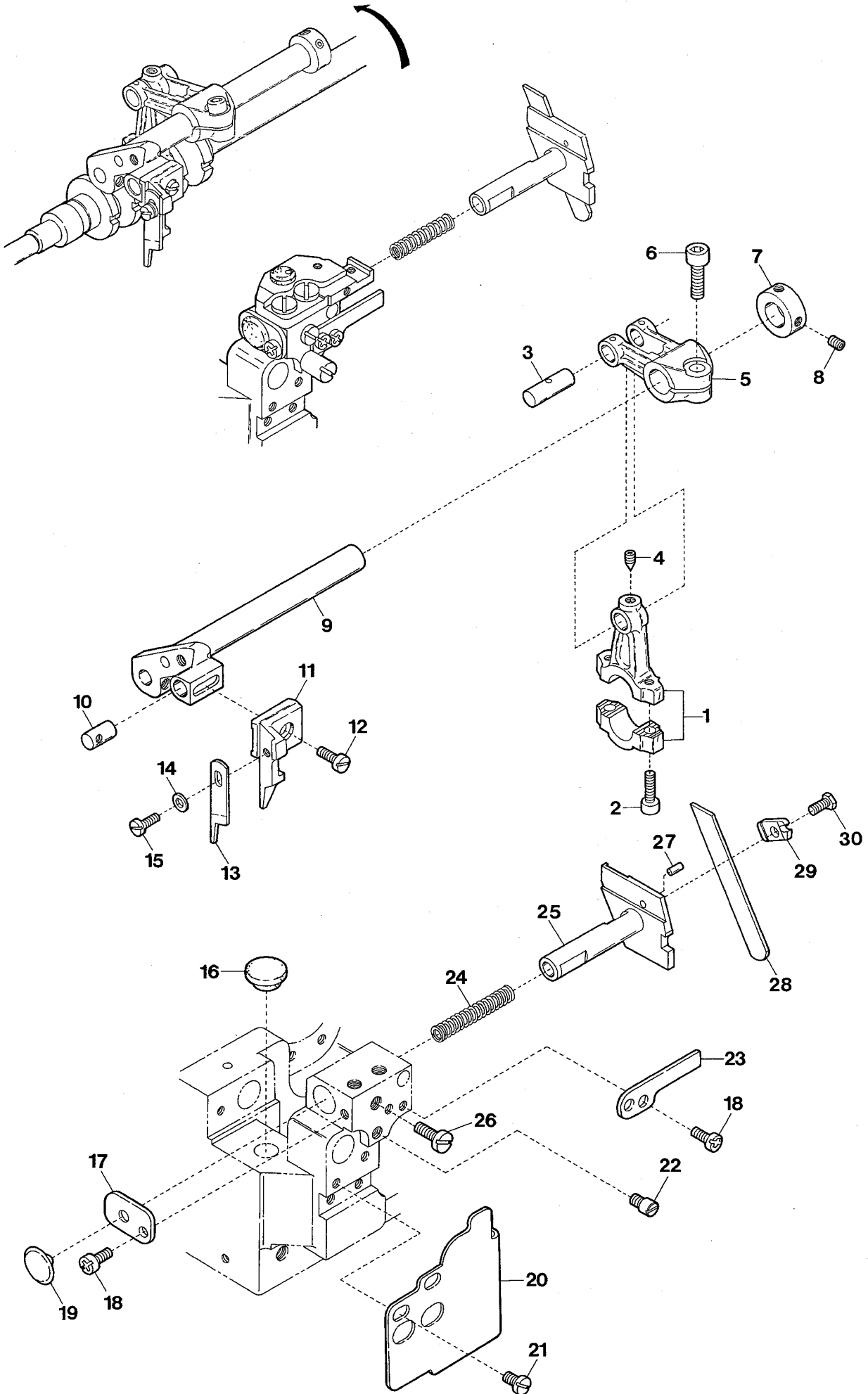


| Ref.No | Parts No. | Description | 品名 | Amt. Req |
|--------|-----------|---|--------------|----------|
| 1 | 6200271 | Needle Bar Driving Connecting Rod | 針棒ロッド | 1 |
| 2 | 120049 | Screw(M4-0.7 × 16) | 止ネジ | 2 |
| 3 | 6200088 | Needle Bar Driving Connecting Rod Pin | 針棒クランクピン | 1 |
| 4 | 160002 | Screw(M4-0.7 × 5) | 止ネジ | 1 |
| 5 | 6200187 | Needle Bar Driving Lever | 針棒クランク軸腕 | 1 |
| 6 | 120006 | Screw(M6-1 × 12) | 止ネジ | 1 |
| 7 | 6200086 | Collar(12 × 20 × 10mm) | カラー | 1 |
| 8 | 160003 | Screw(M5-0.8 × 5) | 止ネジ | 2 |
| 9 | 6200307 | Needle Bar Crank Arm, C. Set | 針棒クランク(組) | 1 |
| 10 | 6200568 | Needle Bar Driving Shaft | 針棒クランク軸 | 1 |
| 11 | 6200085 | Needle Bar Crank Arm | 針棒クランク | 1 |
| 12 | 300008 | Washer | ワッシャ | 1 |
| 13 | 140003 | Screw(M6-1 × 18) | 止ネジ | 1 |
| 14 | 6200087 | Needle Bar Connecting Link | 針棒リンク | 1 |
| 15 | 6200101 | Needle Bar Connecting Link Pin | 針棒リンクピン | 2 |
| 16 | 310089 | Oil Wick | 油芯 | 2 |
| 17 | 6200246 | Needle Bar Connecting Bracket | 針棒抱キ | 1 |
| 18 | 110006 | Screw(M3.5-0.6 × 10) | 止ネジ | 1 |
| 19 | 160016 | Screw(M4-0.7 × 4.5) | 止ネジ | 2 |
| 20 | 6200245 | Needle Bar & Needle Bar Bushing, C. Set | 針棒・針棒ブッシュ(組) | 1 |
| 21-1 | 6209103 | Needle Clamp(Y) | 針止め | 1 |
| 21-2 | 6209102 | Needle Clamp(X) | 針止め | 1 |
| 22 | ----- | Needle(System : DC × 1) | 針 | 2 |
| 23 | 001900 | Screw(1/8-44 × 2.5) | 止ネジ | 2 |
| 24 | 6200249 | Stitch Plate Support Stay, C. Set | 針板取付台支エ(組) | 1 |
| 25 | 6200250 | Stitch Plate Support Stay | 針板取付台支エ | 1 |
| 26 | 000035 | Roll Pin | ロールピン | 1 |
| 27 | 110009 | Screw(M4-0.7 × 8) | 止ネジ | 6 |
| 28 | 6200153 | Stitch Plate Support(Rear) | 針板取付台(後) | 1 |
| 29 | 110001 | Screw(M4-0.7 × 5.4) | 止ネジ | 1 |
| 30-1 | 6208000 | Stitch Plate(Y5) | 針板 | 1 |
| 30-2 | 6208002 | Stitch Plate(Y6) | 針板 | 1 |
| 30-3 | 6208012 | Stitch Plate(X4) | 針板 | 1 |
| 30-4 | 6208025 | Stitch Plate(X5) | 針板 | 1 |
| 31 | 005345 | Screw(11/64-40 × 8.3) | 止ネジ | 2 |
| 32 | 6200089 | Stitch Plate Support(Front) | 針板取付台(前) | 1 |
| 33 | 110011 | Screw(M5-0.8 × 10) | 止ネジ | 2 |
| 34 | 6100020 | Rubber Cushion | 埋メ座 | 1 |
| 35 | 6209200 | Needle Guard(Front) | 針受ケ(前) | 1 |
| 36 | 110002 | Screw(M3-0.5 × 5) | 止ネジ | 1 |
| 37 | 6200232 | HR Unit, Complete Set | HR装置(組) | 1 |
| 38 | 6100310 | Tube Joint | パイプ継手 | 1 |
| 39 | 6200090 | Oil Tube(70mm) | 給油パイプ(70mm) | 1 |
| 40 | 310005 | Oil Wick | 油芯 | 1 |

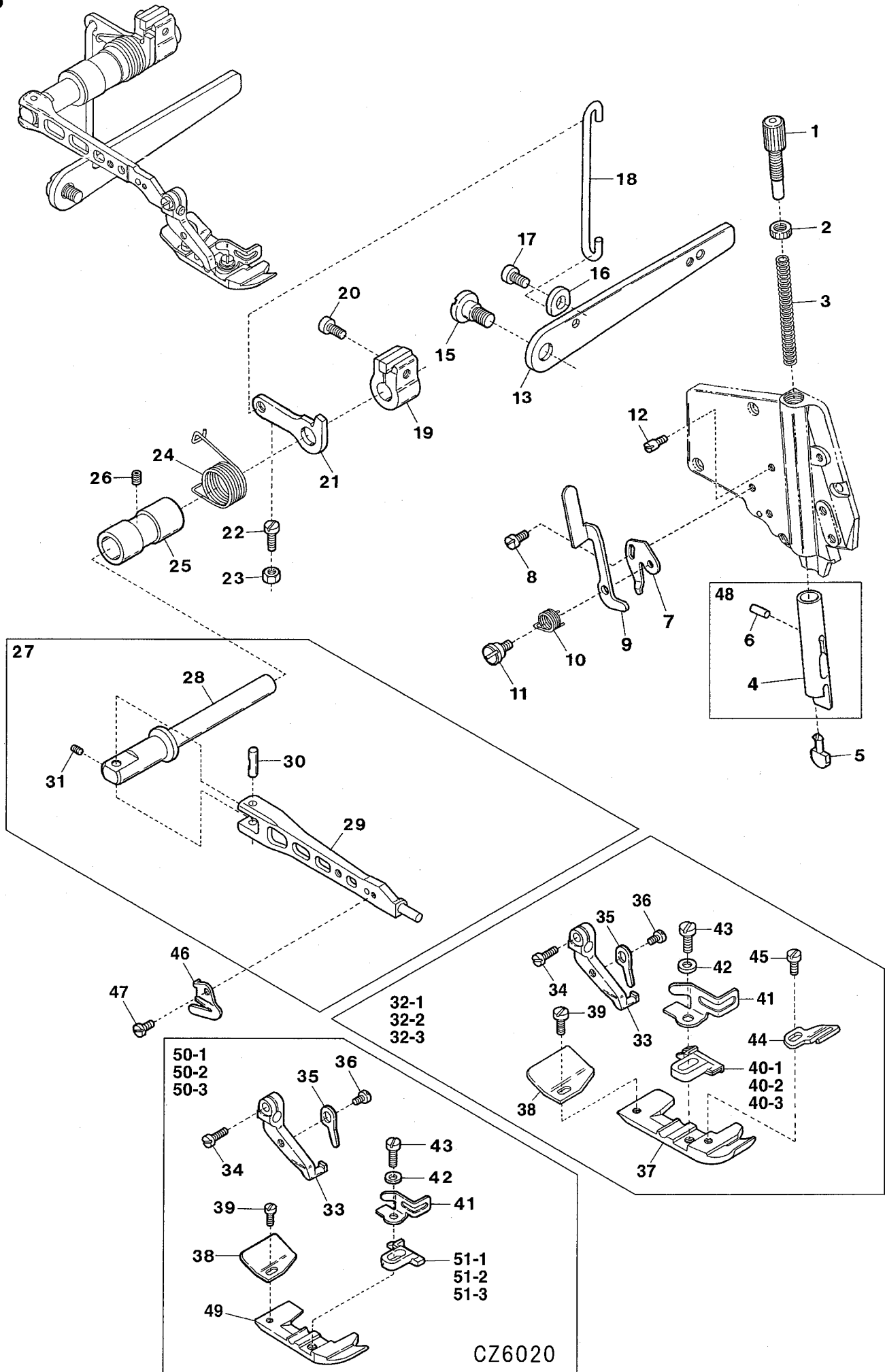
Ref. No. 41 to 49 See the following page.



| Ref.No | Parts No. | Description | 品 名 | Amt. Req |
|--------|-----------|--------------------------------|-----------|----------|
| 41 | 6200155 | HR Felt Holder | HR フェルト受ケ | 1 |
| 42 | 310001 | HR Felt | HR フェルト | 1 |
| 43 | 6200157 | HR Felt Holder Bracket, C. Set | HR 取付台(組) | 1 |
| 44 | 6200158 | HR Felt Holder Bracket | HR 取付台 | 1 |
| 45 | 000393 | Roll Pin | ロールピン | 1 |
| 46 | 110013 | Screw(M4-0.7 × 8) | 止ネジ | 1 |
| 47 | 320008 | Fitting Stud(Short) | 管継手ボルト(短) | 1 |
| 48 | 000567 | Seal | パッキン | 1 |
| 49 | 6200296 | HR Unit Bracket | HR 装置台 | 1 |

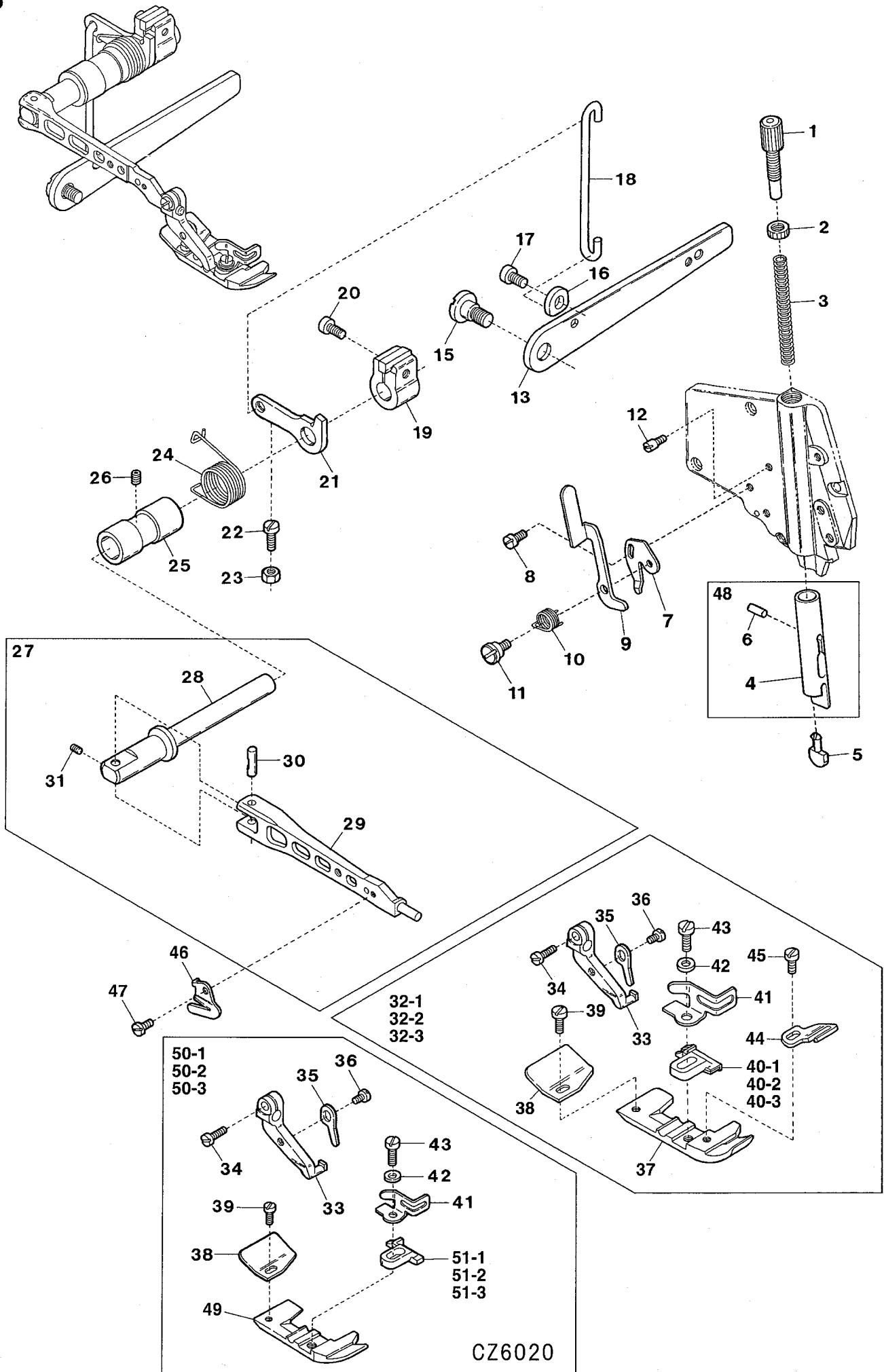


| Ref.No | Parts No. | Description | 品名 | Amt. Req |
|--------|-------------------|------------------------------------|-----------|----------|
| 1 | 6200091 | Upper Knife Driving Connecting Rod | 上メスロッド | 1 |
| 2 | 120049 | Screw(M4-0.7 × 16) | 止ネジ | 2 |
| 3 | 6100367 | Driving Lever Pin | 上メス軸腕ピン | 1 |
| 4 | 160002 | Screw(M4-0.7 × 5) | 止ネジ | 1 |
| 5 | 6200093 | Upper Knife Driving Lever | 上メス軸腕 | 1 |
| 6 | 120006 | Screw(M6-1 × 12) | 止ネジ | 1 |
| 7 | 6200092 | Collar(10 × 19 × 9mm) | カラー | 1 |
| 8 | 160003 | Screw(M5-0.8 × 5) | 止ネジ | 2 |
| 9 | 6200251 | Upper Knife Driving Shaft | 上メス軸 | 1 |
| 10 | 6200095 | Upper Knife Holder Positioner | 上メスホルダピン | 1 |
| 11 | 6200094 | Upper Knife Holder(Flat Type) | 上メスホルダ(平) | 1 |
| 12 | 110035 | Screw(M4-0.7 × 10) | 止ネジ | 1 |
| 13 | 6200022 | Upper Knife(Flat Type) | 上メス(平) | 1 |
| 14 | 000532 | Washer | ワッシャ | 1 |
| 15 | 110004 | Screw(M3-0.6 × 8) | 止ネジ | 1 |
| 16 | 6200681 [6100017] | Seal Plug | 詰栓 | 1 |
| 17 | 6200222 | Lower Knife Holder Spring Stop | 下メスバネ受ケ | 1 |
| 18 | 110012 | Screw(M4-0.7 × 5) | 止ネジ | 3 |
| 19 | 6200100 | Cloth Plate Rubber Cushion | 緩衝ゴム | 1 |
| 20 | 6200221 | Front Cover | 前カバー | 1 |
| 21 | 110001 | Screw(M4-0.7 × 5.4) | 止ネジ | 2 |
| 22 | 180040 | Cloth Plate Spring Pin | バネ受ケピン | 1 |
| 23 | 6200223 | Lower Knife Holder Locking Plate | 下メス台回り止め | 1 |
| 24 | 6200030 | Lower Knife Holder Spring | 下メスバネ | 1 |
| 25 | 6200096 | Lower Knife Holder | 下メス台 | 1 |
| 26 | 110046 | Screw(M5-0.8 × 12) | 止ネジ | 1 |
| 27 | 000688 | Guide Pin | ガイドピン | 1 |
| 28 | 6200097 | Lower Knife | 下メス | 1 |
| 29 | 6200098 | Lower Knife Clamp | 下メス押エ | 1 |
| 30 | 140014 | Screw(M4-0.7 × 8) | 止ネジ | 1 |



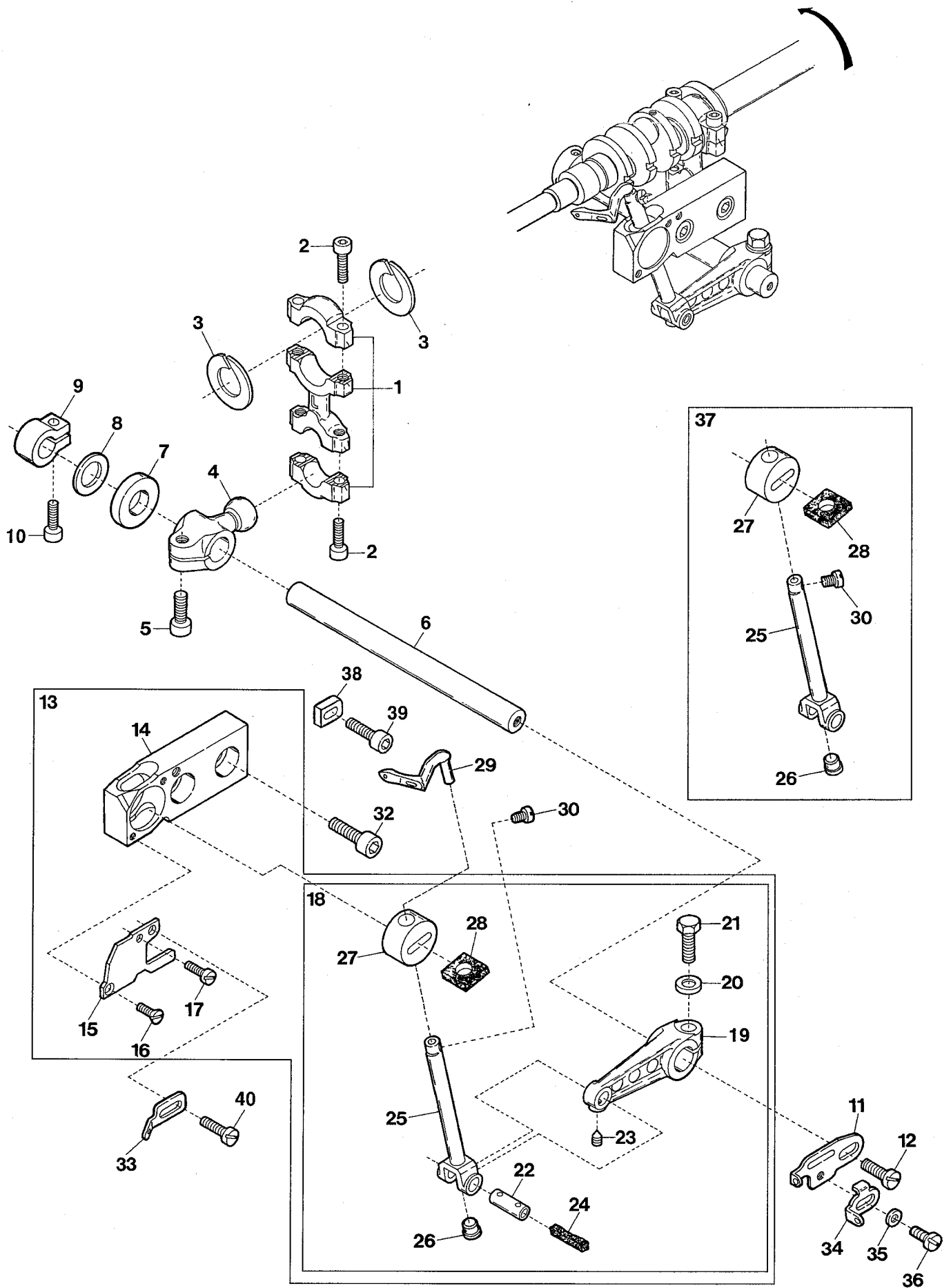
| Ref.No | Parts No. | Description | 品名 | Amt. Req |
|--------|-----------|--|-------------|----------|
| 1 | 190088 | Adjusting Screw(M10-0.75 × 30) | 調節ネジ | 1 |
| 2 | 100073 | Lock Nut | ロックナット | 1 |
| 3 | 6200469 | Presser Spring | 押エバネ | 1 |
| 4 | 6200470 | Presser Bar | 押工棒 | 1 |
| 5 | 6200160 | Presser Arm Positioning Guide Pin | 押工腕案内ピン | 1 |
| 6 | 340061 | Pin | ピン | 1 |
| 7 | 6200472 | Presser Arm Stop | 押工腕ストッパ | 1 |
| 8 | 110012 | Screw(M4-0.7 × 5) | 止ネジ | 1 |
| 9 | 6200473 | Presser Foot Release Lever | 手揚げ | 1 |
| 10 | 6200474 | Presser Foot Release Lever Spring | 手揚げバネ | 1 |
| 11 | 170045 | Screw(M4-0.7 × 5) | 止ネジ | 1 |
| 12 | 180001 | Screw(M4-0.7 × 4.5) | バネ掛ケネジ | 1 |
| 13 | 6200513 | Presser Foot Lifter Lever | 押工揚げレバー | 1 |
| 14 | | | | |
| 15 | 170065 | Screw(M8-1.25 × 10) | 止ネジ | 1 |
| 16 | 6200291 | Presser Foot Lifter Lever Stop | 押工揚げレバーストッパ | 1 |
| 17 | 120010 | Screw(M6-1 × 10) | 止ネジ | 1 |
| 18 | 6200514 | Presser Foot Lifter Lever Link | 押工揚げレバーリンク | 1 |
| 19 | 6200154 | Presser Foot Shaft Collar | 押工軸カラー | 1 |
| 20 | 120017 | Screw(M5-0.8 × 15) | 止ネジ | 1 |
| 21 | 6200104 | Intermediate Lever | 押工軸レバー | 1 |
| 22 | 110065 | Stop Screw(M4-0.7 × 12) | ストップネジ | 1 |
| 23 | 100001 | Lock Nut | ロックナット | 1 |
| 24 | 6200288 | Presser Foot Lifter Lever Spring | 押工揚げレバーバネ | 1 |
| 25 | 6200082 | Presser Foot Shaft Bushing | 押工軸ブッシュ | 1 |
| 26 | 160007 | Screw(M6-1 × 6) | 止ネジ | 1 |
| 27 | 6200527 | Presser Arm, Complete Set | 押工腕(組) | 1 |
| 28 | 6200103 | Presser Foot Shaft | 押工軸 | 1 |
| 29 | 6200528 | Presser Arm | 押工腕 | 1 |
| 30 | 6200106 | Presser Arm Hinge Pin | 押工腕ヒンジピン | 1 |
| 31 | 160001 | Screw(M4-0.7 × 4) | 止ネジ | 1 |
| 32-1 | 6207021 | Presser Foot, C. Set(Y5, Y6) | 押工(組) | 1 |
| 32-2 | 6207060 | Presser Foot, C. Set(X4) | 押工(組) | 1 |
| 32-3 | 6207094 | Presser Foot, C. Set(X4/B3)(Extra) | 押工(組)(特注部品) | 1 |
| 33 | 6207001 | Presser Foot Hinge | 押工ヒンジ | 1 |
| 34 | 110004 | Screw(M3.5-0.6 × 8) | 止ネジ | 1 |
| 35 | 6207003 | Presser Foot Half-stay | 半固定片 | 1 |
| 36 | 110050 | Screw(M3.5-0.6 × 4.5) | 止ネジ | 1 |
| 37 | 6207019 | Presser Foot(Lower) | 押工(下) | 1 |
| 38 | 6200034 | Thread Chain Guide | 空環ガイド | 1 |
| 39 | 004237 | Screw(3/32-56 × 2.6) | 止ネジ | 1 |
| 40-1 | 6207022 | Presser Foot Stitch Tongue(Y5, Y6) | 爪 | 1 |
| 40-2 | 6207051 | Presser Foot Stitch Tongue(X4) | 爪 | 1 |
| 40-3 | 6207095 | Presser Foot Stitch Tongue(X4/B3)(Extra) | 爪(特注部品) | 1 |

Ref. No. 41 to 51 See the following page.

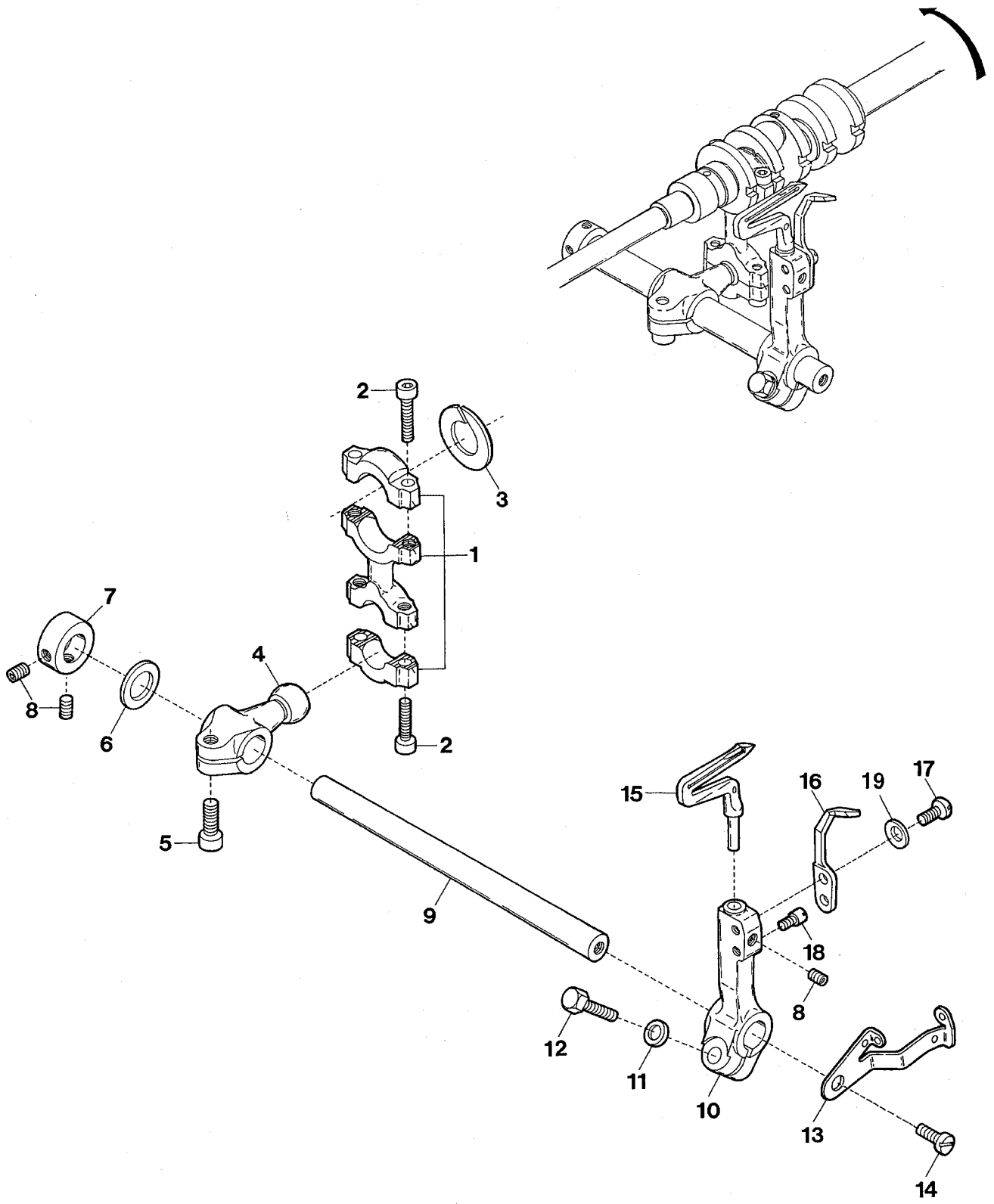


CZ6020

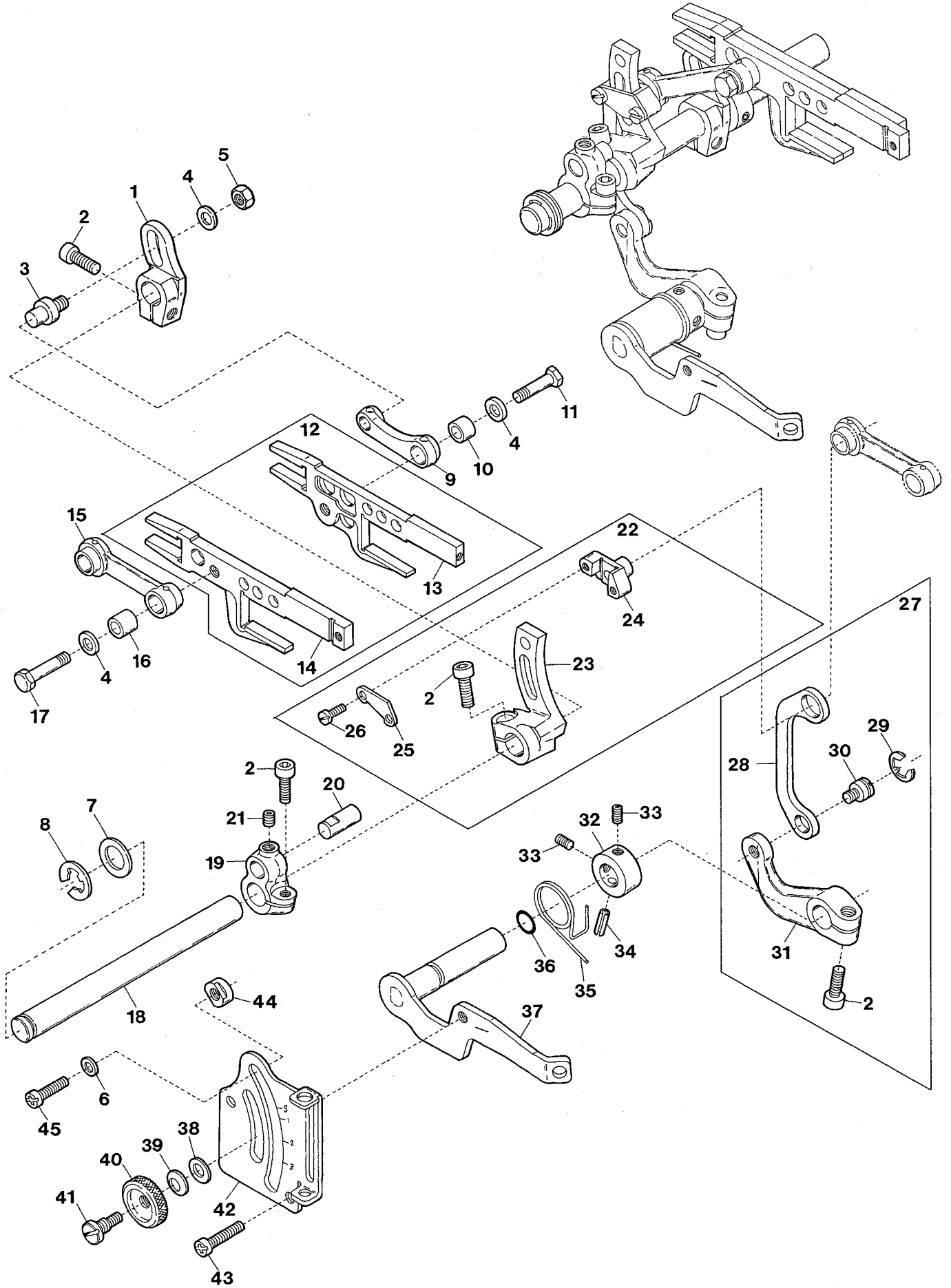
| Ref.No | Parts No. | Description | 品 名 | Amt. Req |
|--------|-----------|------------------------------------|----------|----------|
| 41 | 6207000 | Finger Guard | フィンガガード | 1 |
| 42 | 000444 | Washer | ワッシャ | 1 |
| 43 | 005036 | Screw(1/8-44 × 5.6) | 止ネジ | 1 |
| 44 | 6207018 | Presser Foot Tape Guide | 押エテープガイド | 1 |
| 45 | 001230 | Screw(3/32-56 × 3.8) | 止ネジ | 1 |
| 46 | 6200020 | Thread Chain Cutting Knife | チェーンカッタ | 1 |
| 47 | 004097 | Screw(3/32-56 × 4.2) | 止ネジ | 1 |
| 48 | 6200471 | Presser Bar, C. Set | 押工棒(組) | 1 |
| 49 | 6207002 | Presser Foot(Lower) | 押工(下) | 1 |
| 50-1 | 6207044 | Presser Foot, C. Set(Y5, Y6) | 押工(組) | 1 |
| 50-2 | 6207061 | Presser Foot, C. Set(X4) | 押工(組) | 1 |
| 50-3 | 6207092 | Presser Foot, C. Set(X5) | 押工(組) | 1 |
| 51-1 | 6207046 | Presser Foot Stitch Tongue(Y5, Y6) | 爪 | 1 |
| 51-2 | 6207057 | Presser Foot Stitch Tongue(X4) | 爪 | 1 |
| 51-3 | 6207093 | Presser Foot Stitch Tongue(X5) | 爪 | 1 |



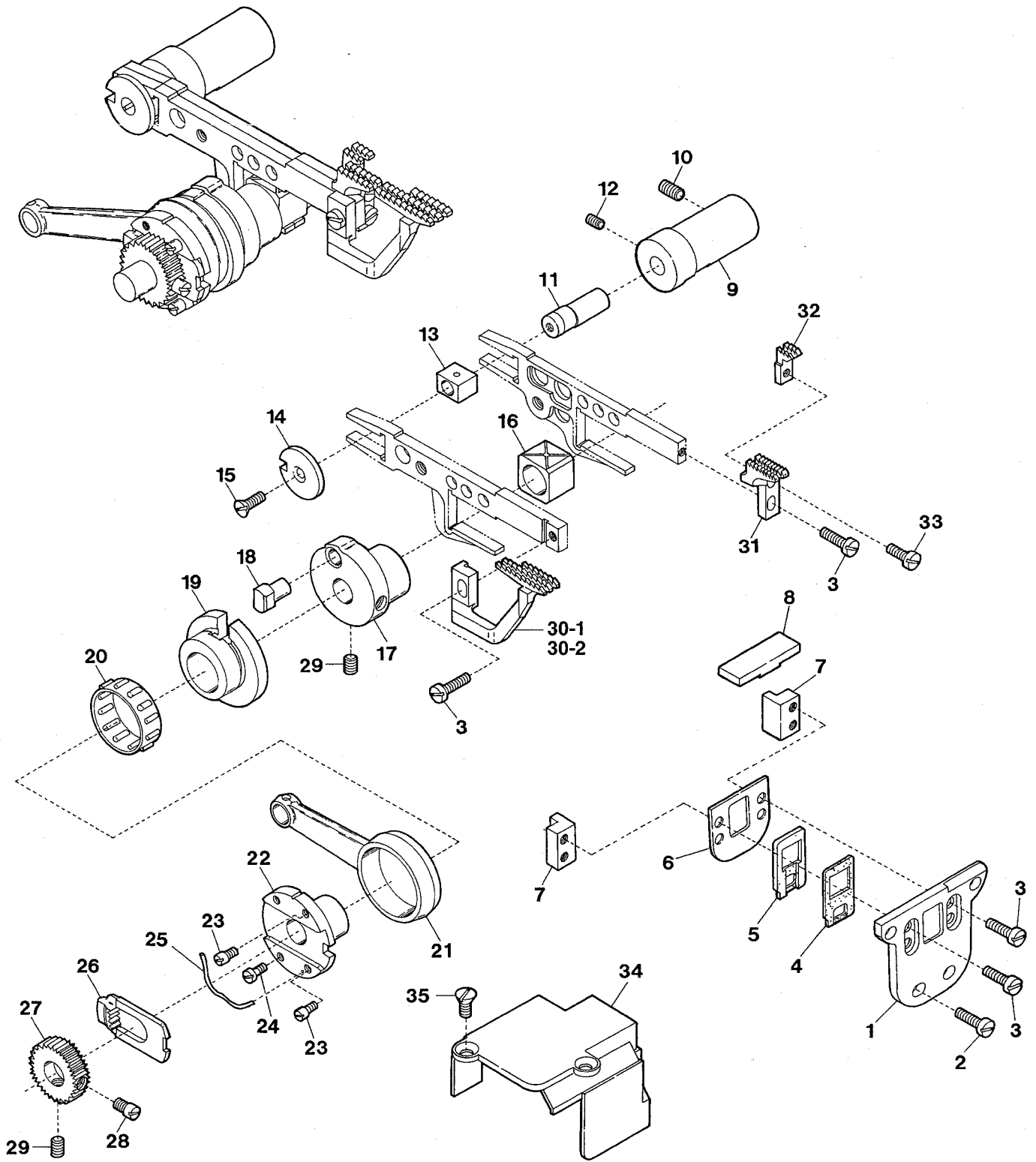
| Ref.No | Parts No. | Description | 品名 | Amt. Req |
|--------|-----------|--|------------------|----------|
| 1 | 6200188 | Looper Driving Lever Connecting Rod | ルーパロッド | 1 |
| 2 | 120049 | Screw(M4-0.7 × 16) | 止ネジ | 4 |
| 3 | 6200080 | Connecting Rod Swing-proof | 振れ止め | 2 |
| 4 | 6200261 | Upper Looper Driving Lever | 上ルーパ軸腕 | 1 |
| 5 | 120006 | Screw(M6-1 × 12) | 止ネジ | 1 |
| 6 | 6200260 | Looper Driving Shaft | 上ルーパ軸 | 1 |
| 7 | 6200262 | Driving Shaft Thrust Ring | スラストリング | 1 |
| 8 | 6200263 | Driving Shaft Thrust Ring | スラストリング | 1 |
| 9 | 6200566 | Collar | カラー | 1 |
| 10 | 120049 | Screw(M4-0.7 × 16) | 止ネジ | 1 |
| 11 | 6200286 | Upper Looper Thread Pull-off | 上ルーパ糸繰り | 1 |
| 12 | 110009 | Screw(M4-0.7 × 8) | 止ネジ | 1 |
| 13 | 6200117 | Upper Looper Bar Crank Arm, C. Set | 上ルーパクランク(組) | 1 |
| 14 | 6200114 | Upper Looper Bar Guide Bushing | ルーパ案内メタル | 1 |
| 15 | 6200110 | Upper Looper Bar Guide Cover | ルーパ案内蓋 | 1 |
| 16 | 130001 | Screw(M2.5-0.45 × 6) | 止ネジ | 1 |
| 17 | 110071 | Screw(M2.5-0.45 × 6) | 止ネジ | 1 |
| 18 | 6200116 | Upper Looper Bar Guide, Complete Set | ルーパ案内(組) | 1 |
| 19 | 6200111 | Upper Looper Bar Crank Arm | 上ルーパクランク | 1 |
| 20 | 300008 | Washer | ワッシャ | 1 |
| 21 | 140004 | Screw(M6-1 × 16) | 止ネジ | 1 |
| 22 | 6200113 | Upper Looper Bar Crank Arm Pin | 上ルーパクランクピン | 1 |
| 23 | 160002 | Screw(M4-0.7 × 5) | 止ネジ | 1 |
| 24 | 310089 | Oil Wick | 油芯 | 1 |
| 25 | 6200112 | Upper Looper Bar | ルーパ棒 | 1 |
| 26 | 000629 | Seal Plug | 詰栓 | 1 |
| 27 | 6200115 | Upper Looper Bar Guide | ルーパ案内 | 1 |
| 28 | 310065 | Oiling Felt | フェルト | 1 |
| 29 | 6209300 | Upper Looper(for Needle Size #9~14) | 上ルーパ(針番手 #9~14用) | 1 |
| 30 | 210009 | Screw(1/8-44 × 3.2) | 止ネジ | 1 |
| 31 | | | | |
| 32 | 120013 | Screw(M6-1 × 15) | 止ネジ | 2 |
| 33 | 6200169 | Upper Looper Supplementary Thread Eyelet | 上ルーパ補助糸道 | 1 |
| 34 | 6200278 | Lower Looper Thread Pull-off | 下ルーパ糸繰り | 1 |
| 35 | 000014 | Washer | ワッシャ | 1 |
| 36 | 110002 | Screw(M3-0.5 × 5) | 止ネジ | 1 |
| 37 | 6200120 | Upper Looper Bar, C. Set | ルーパ棒(組) | 1 |
| 38 | 6200453 | Upper Looper Bar Guide Bushing Postioner | 位置決め板 | 1 |
| 39 | 009746 | Screw(M4-0.7 × 8) | 止ネジ | 1 |
| 40 | 110001 | Screw(M4-0.7 × 5.4) | 止ネジ | 1 |



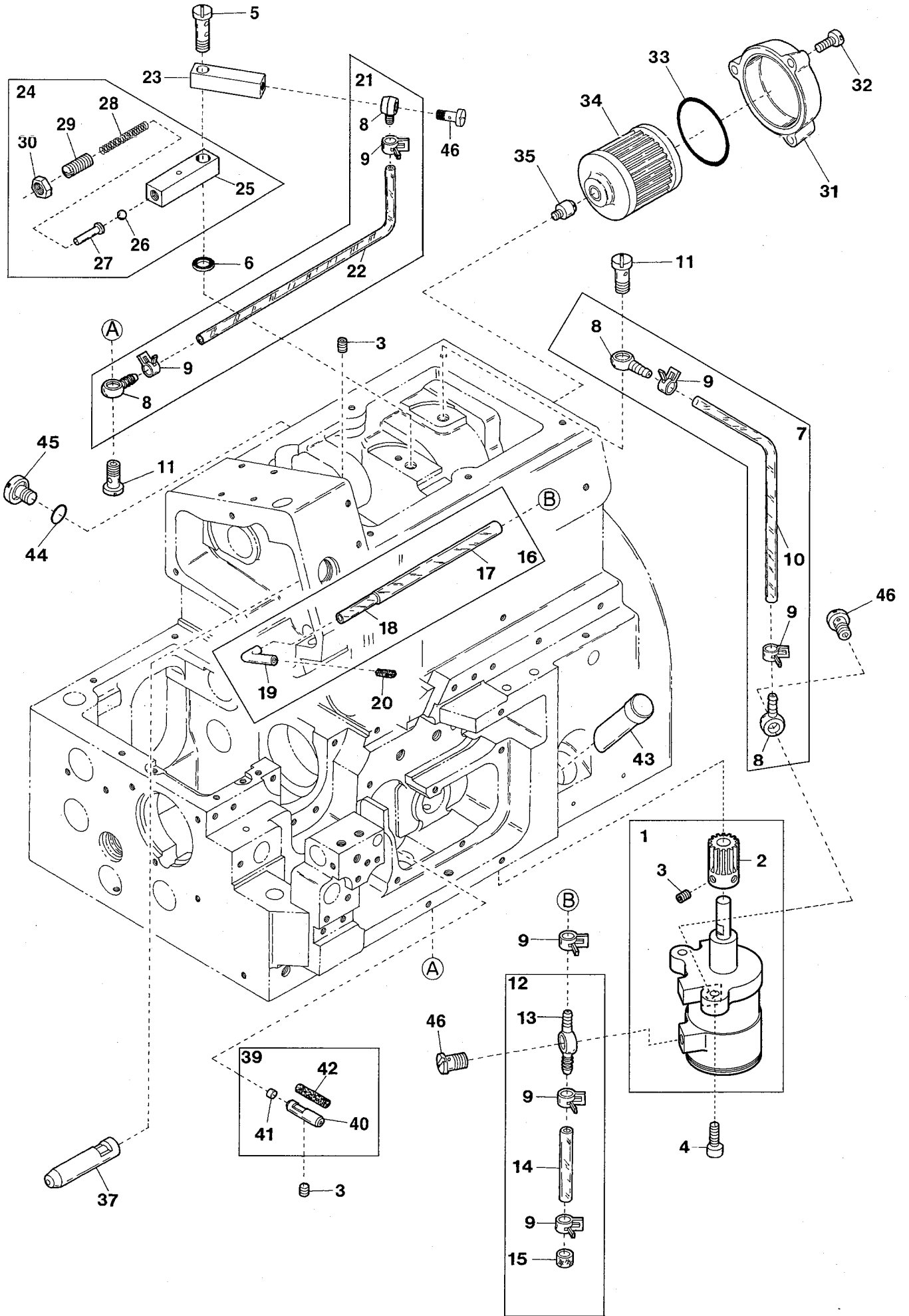
| Ref.No | Parts No. | Description | 品 名 | Amt. Req |
|--------|-----------|-------------------------------------|----------|----------|
| 1 | 6200108 | Looper Driving Lever Connecting Rod | ルーパロッド | 1 |
| 2 | 120049 | Screw(M4-0.7 × 16) | 止ネジ | 4 |
| 3 | 6200080 | Connecting Rod Swing-proof | 振れ止め | 1 |
| 4 | 6200377 | Lower Looper Driving Lever | 下ルーパ軸腕 | 1 |
| 5 | 120006 | Screw(M6-1 × 12) | 止ネジ | 1 |
| 6 | 6200189 | Driving Shaft Thrust Ring | スラストプレート | 1 |
| 7 | 6200092 | Collar(10 × 19 × 9mm) | カラー | 1 |
| 8 | 160003 | Screw(M5-0.8 × 5) | 止ネジ | 3 |
| 9 | 6200109 | Looper Driving Shaft | ルーパ軸 | 1 |
| 10 | 6200107 | Lower Looper Holder Arm | 下ルーパ台 | 1 |
| 11 | 300008 | Washer | ワッシャ | 1 |
| 12 | 140002 | Screw(M6-1 × 14) | 止ネジ | 1 |
| 13 | 6200279 | Thread Pull-off | 下ルーパ台糸繰り | 1 |
| 14 | 110009 | Screw(M4-0.7 × 8) | 止ネジ | 1 |
| 15 | 6209301 | Lower Looper | 下ルーパ | 1 |
| 16 | 6209201 | Needle Guard(Rear) | 針受ケ(後) | 1 |
| 17 | 110036 | Screw(M3-0.5 × 6.5) | 止ネジ | 1 |
| 18 | 180014 | Screwed Pin(M3-0.5 × 4.5) | ピンネジ | 1 |
| 19 | 300106 | Conical Spring Washer | 皿バネワッシャ | 1 |



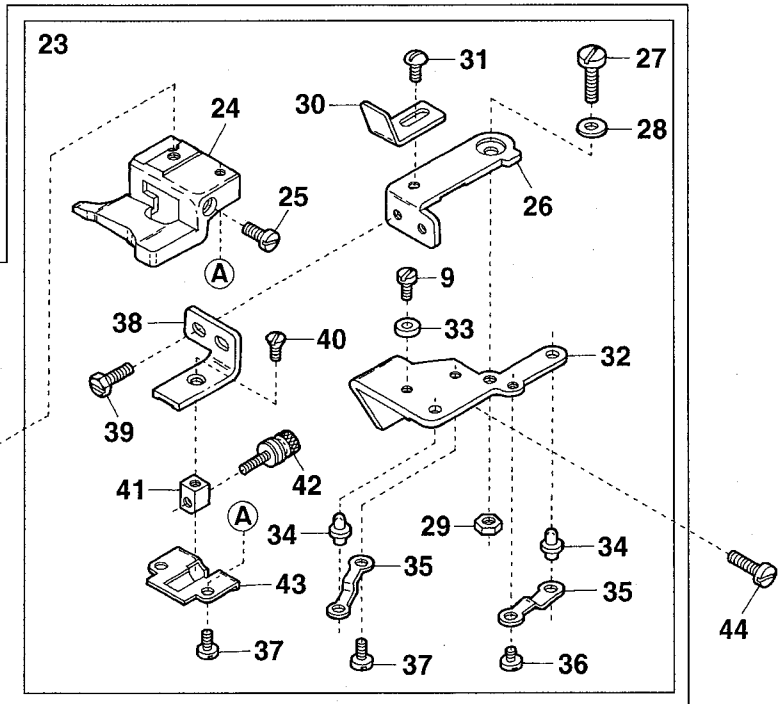
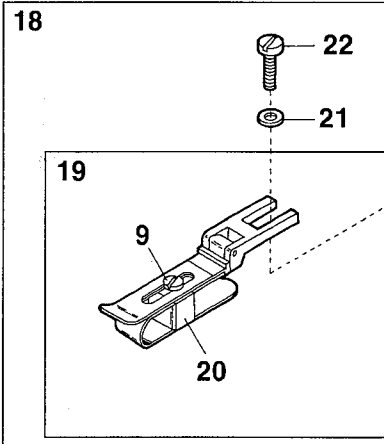
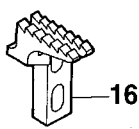
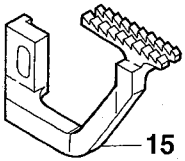
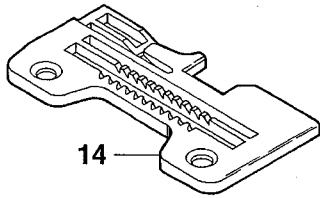
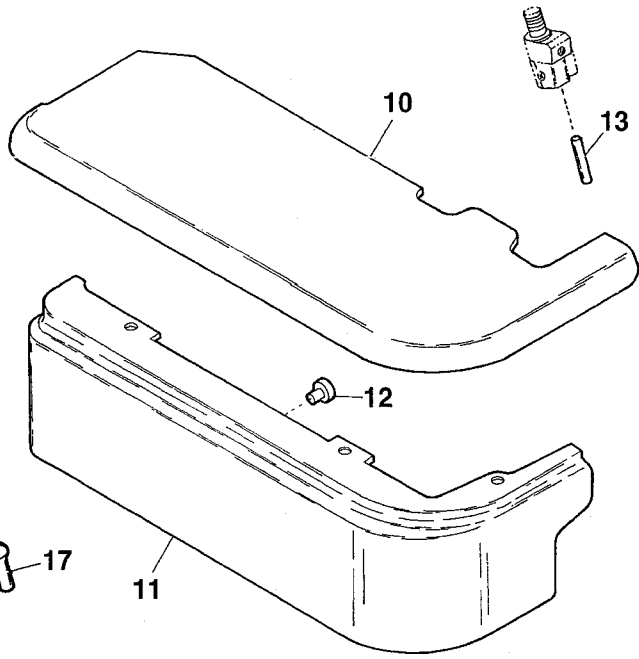
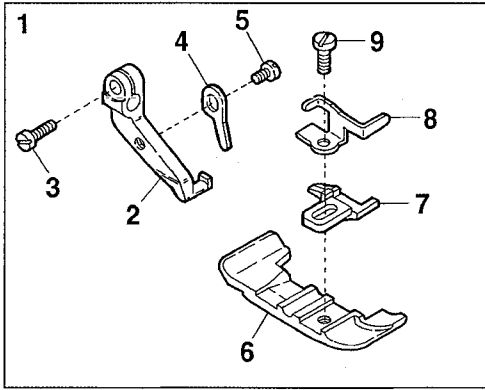
| Ref.No | Parts No. | Description | 品 名 | Amt. Req |
|--------|-----------|--|-------------|----------|
| 1 | 6200254 | Main Feed Bar Lever | 後送りレバー | 1 |
| 2 | 120006 | Screw(M6-1 × 12) | 止ネジ | 4 |
| 3 | 6200119 | Main Feed Bar Lever Pin | 後送りレバーピン | 1 |
| 4 | 300000 | Washer | ワッシャ | 3 |
| 5 | 100002 | Nut | ナット | 1 |
| 6 | 000669 | Washer | ワッシャ | 2 |
| 7 | 6200263 | Thrust Plate | スラストプレート | 1 |
| 8 | 6200038 | Retaining Ring | ストップリング | 1 |
| 9 | 6100262 | Main Feed Bar Connection | 後送りリンク | 1 |
| 10 | 6200118 | Connection Bushing | 後送りリンクブッシュ | 1 |
| 11 | 140001 | Screw(M5-0.5 × 12) | 止ネジ | 1 |
| 12 | 6200127 | Feed Bar, Complete Set | 前後送り台(組) | 1 |
| 13 | 6200184 | Main Feed Bar | 後送り台 | 1 |
| 14 | 6200183 | Differential Feed Bar | 前送り台 | 1 |
| 15 | 6200190 | Differential Feed Bar Connection | 前送りリンク | 1 |
| 16 | 6200265 | Connection Bushing | 前送りリンクブッシュ | 1 |
| 17 | 140000 | Screw(M5-0.5 × 15.5) | 止ネジ | 1 |
| 18 | 6200255 | Feed Bar Driving Shaft | 送り軸 | 1 |
| 19 | 6200256 | Feed Bar Driving Shaft Lever | 送り軸腕 | 1 |
| 20 | 6200142 | Connecting Rod Pin | 送りロッドピン | 1 |
| 21 | 160007 | Screw(M6-1 × 6) | 止ネジ | 1 |
| 22 | 6200165 | Differential Rocker, Complete Set | 前送り腕(組) | 1 |
| 23 | 6200166 | Differential Rocker | 前送り腕 | 1 |
| 24 | 6200167 | Differential Regulating Slider | スライダ | 1 |
| 25 | 6200168 | Differential Regulating Slider Cap | スライダ蓋 | 1 |
| 26 | 110033 | Screw(M3-0.5 × 6) | 止ネジ | 2 |
| 27 | 6200130 | Differential Lever(Right), C. Set | 差動レバー(右)(組) | 1 |
| 28 | 6100255 | Slider Link | スライダリンク | 1 |
| 29 | 6100343 | Retaining Ring | ストップリング | 1 |
| 30 | 6100360 | Slider Link Pin | スライダリンクピン | 1 |
| 31 | 6200125 | Differential Lever(Right) | 差動レバー(右) | 1 |
| 32 | 6100235 | Collar(10 × 17 × 8mm) | カラー | 1 |
| 33 | 160001 | Screw(M4-0.7 × 4) | 止ネジ | 2 |
| 34 | 000690 | Spring Pin | スプリングピン | 1 |
| 35 | 6200123 | Differential Lever Spring | 差動レバーバネ | 1 |
| 36 | 6100363 | O-ring(P7) | Oリング | 1 |
| 37 | 6200126 | Differential Lever(Left) | 差動レバー(左) | 1 |
| 38 | 000528 | Washer | ワッシャ | 1 |
| 39 | 000561 | Conical Spring Washer | 皿バネワッシャ | 1 |
| 40 | 100000 | Adjusting Nut | 調節ナット | 1 |
| 41 | 190001 | Adjusting Screw(M6-1 × 11.5, M4.5-0.5 × 4) | 調節ネジ | 1 |
| 42 | 6200131 | Differential Feed Graduation | 送り目盛板 | 1 |
| 43 | 110016 | Screw(M4-0.7 × 15) | 止ネジ | 2 |
| 44 | 6100269 | Differential Lever Stop | 差動レバーストップ | 2 |
| 45 | 110017 | Screw(M5-0.8 × 8) | 止ネジ | 2 |



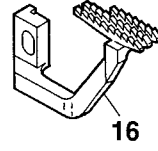
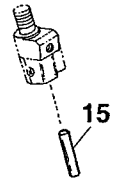
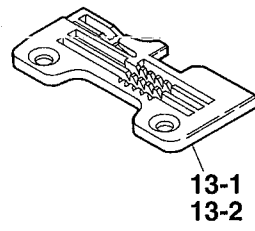
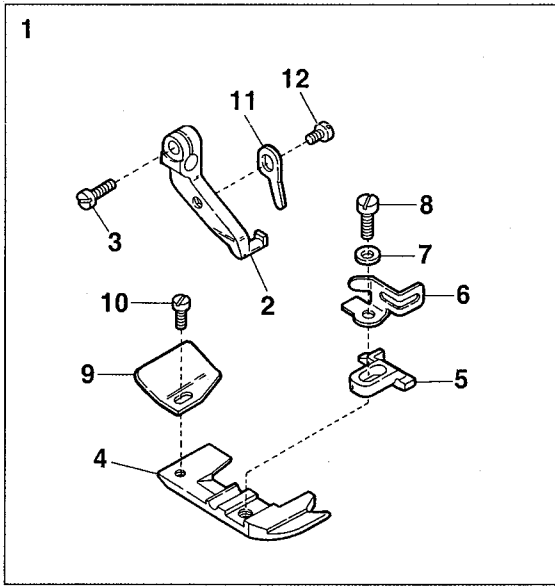
| Ref.No | Parts No. | Description | 品名 | Amt. Req |
|--------|-----------|----------------------------------|-------------|----------|
| 1 | 6200173 | Feed Bar Guide Support | 送り台ガイドサポート | 1 |
| 2 | 110064 | Screw(M4-0.7 × 8) | 止ネジ | 4 |
| 3 | 110004 | Screw(M3.5-0.6 × 8) | 止ネジ | 6 |
| 4 | 6200174 | Feed Bar Shield(Front) | 送り台シール(前) | 1 |
| 5 | 6200175 | Feed Bar Shield(Rear) | 送り台シール(後) | 1 |
| 6 | 6200177 | Feed Bar Shield Guide | 送り台シールガイド | 1 |
| 7 | 6200178 | Feed Bar Guide | 送り台ガイド | 2 |
| 8 | 6200176 | Feed Bar Shield(Upper) | 送り台シール(上) | 1 |
| 9 | 6200253 | Feed Bar Guide Bushing | 送り台ガイドブッシュ | 1 |
| 10 | 160007 | Screw(M6-1 × 6) | 止ネジ | 1 |
| 11 | 6200161 | Feed Bar Block(Rear) Shaft | 角駒(後)軸 | 1 |
| 12 | 160001 | Screw(M4-0.7 × 4) | 止ネジ | 1 |
| 13 | 6200140 | Feed Bar Block(Rear) | 角駒(後) | 1 |
| 14 | 6200139 | Feed Bar Block(Rear) Lid | 角駒(後)蓋 | 1 |
| 15 | 130002 | Screw(M3-0.5 × 6) | 止ネジ | 1 |
| 16 | 6200138 | Feed Bar Block(Front) | 角駒(前) | 1 |
| 17 | 6200141 | Eccentric Pin Holder | 送りエキセンピン取付台 | 1 |
| 18 | 6100366 | Feed Dog Eccentric Pin | 送りエキセンピン | 1 |
| 19 | 6100281 | Feed Dog Eccentric | 送りエキセン | 1 |
| 20 | 6100282 | Roller Bearing | ニードルベアリング | 1 |
| 21 | 6200133 | Feed Dog Driving Connecting Rod | 送りロッド | 1 |
| 22 | 6100284 | Feed Dog Regulating Eccentric | 送り調節エキセン | 1 |
| 23 | 180002 | Screw(M3-0.5 × 4) | 止ネジ | 2 |
| 24 | 110070 | Screw(M3-0.5 × 6.3) | 止ネジ | 1 |
| 25 | 6100285 | Feed Dog Regulating Plate Spring | 送り調節プレートバネ | 1 |
| 26 | 6100286 | Feed Dog Regulating Plate | 送り調節プレート | 1 |
| 27 | 6200137 | Feed Dog Regulating Gear | 送り調節ギア | 1 |
| 28 | 180003 | Screw(M5-0.8 × 8) | 止ネジ | 1 |
| 29 | 160003 | Screw(M5-0.8 × 5) | 止ネジ | 3 |
| 30-1 | 6209000 | Differential Feed Dog(X4, X5) | 前送り | 1 |
| 30-2 | 6209006 | Differential Feed Dog(Y5, Y6) | 前送り | 1 |
| 31 | 6209001 | Main Feed Dog | 後送り | 1 |
| 32 | 6209002 | Auxiliary Feed Dog | 小送り | 1 |
| 33 | 110026 | Screw(M3-0.5 × 6) | 止ネジ | 1 |
| 34 | 6200257 | Connecting Rod Cover | 送りロッドカバー | 1 |
| 35 | 130003 | Screw(M4-0.7 × 7.3) | 止ネジ | 2 |



| Ref.No | Parts No. | Description | 品名 | Amt. Req |
|--------|-----------|---------------------------------------|-------------|----------|
| 1 | 6200506 | Oil Pump, Complete Set | ポンプ(組) | 1 |
| 2 | 6200475 | Worm Wheel | ウオームホイール | 1 |
| 3 | 160001 | Screw(M4-0.7 × 4) | 止ネジ | 4 |
| 4 | 120049 | Screw(M4-0.7 × 16) | 止ネジ | 2 |
| 5 | 320009 | Oil Tube Fitting Stud(Long)(M6-1) | 管継手ボルト(長) | 1 |
| 6 | 000567 | Seal | パッキン | 1 |
| 7 | 6200507 | Oil Tube, Complete Set | 給油パイプ(組) | 1 |
| 8 | 6100310 | Oil Tube Fitting One Way End | 片口管継手 | 4 |
| 9 | 6100303 | Oil Tube Clamp | 緊束環 | 7 |
| 10 | 6200508 | Oil Tube(4.6 × 6.4 × 220mm) | 給油パイプ | 1 |
| 11 | 320008 | Oil Tube Fitting Stud(M6-1) | 管継手ボルト | 2 |
| 12 | 6200509 | Suction Tube, C. Set | 吸入パイプ(組) | 1 |
| 13 | 6100308 | Oil Tube Fitting Two Way | 両口管継手 | 1 |
| 14 | 6200510 | Oil Tube(4.6 × 6.4 × 242.5mm) | 給油パイプ | 1 |
| 15 | 6200206 | Oil Filter | 濾過網 | 1 |
| 16 | 6200518 | Suction Pipe(Upper), C. Set | 吸入パイプ(上)(組) | 1 |
| 17 | 6200519 | Suction Tube(4 × 6 × 18mm) | 吸入パイプ | 1 |
| 18 | 6200195 | Suction Tube(2.5 × 4 × 60mm) | 吸入パイプ | 1 |
| 19 | 6200196 | Suction Pipe(Upper) | 吸入パイプ(上) | 1 |
| 20 | 310073 | Felt | フェルト | 1 |
| 21 | 6200299 | Oil Tube, Complete Set | 給油パイプ(組) | 1 |
| 22 | 6200301 | Oil Tube(4.6 × 6.4 × 320mm) | 給油パイプ | 1 |
| 23 | 6200450 | Oil Pressure Regulating Valve | 調圧弁 | 1 |
| 24 | 6200451 | Oil Pressure Regulating Valve, C. Set | 調圧弁(組) | 1 |
| 25 | 6200450 | Oil Pressure Regulating Valve | 調圧弁 | 1 |
| 26 | 6200037 | Oil Pressure Regulating Ball | 調圧ボール弁 | 1 |
| 27 | 6200028 | Guide Pin | ガイドピン | 1 |
| 28 | 6200476 | Spring | バネ | 1 |
| 29 | 006861 | Adjusting Screw(1/4-40 × 5) | 調節ネジ | 1 |
| 30 | 000419 | Nut | ナット | 1 |
| 31 | 6100002 | Oil Filter Cap | オイルフィルタキャップ | 1 |
| 32 | 110045 | Screw(M4-0.7 × 12) | 止ネジ | 3 |
| 33 | 6100370 | O-ring(P42) | Oリング | 1 |
| 34 | 6100296 | Oil Filter | オイルフィルタ | 1 |
| 35 | 6100297 | Filter Housing | オイルフィルタ継手 | 1 |
| 36 | | | | |
| 37 | 6200248 | Oil Pipe | オイルパイプ | 1 |
| 38 | | | | |
| 39 | 6200186 | Oil Pipe, C. Set | オイルパイプ(組) | 1 |
| 40 | 6200185 | Oil Pipe | オイルパイプ | 1 |
| 41 | 000456 | Seal Plug | 詰栓 | 1 |
| 42 | 310090 | Oil Wick | 油芯 | 1 |
| 43 | 6200074 | Oil Sight Gauge | オイルゲージ | 1 |
| 44 | 6100363 | O-ring(P7) | Oリング | 1 |
| 45 | 110053 | Screw(M6-1 × 8) | 止ネジ | 1 |
| 46 | 320012 | Oil Tube Fitting Stud(1/4-40) | 管継手ボルト | 3 |

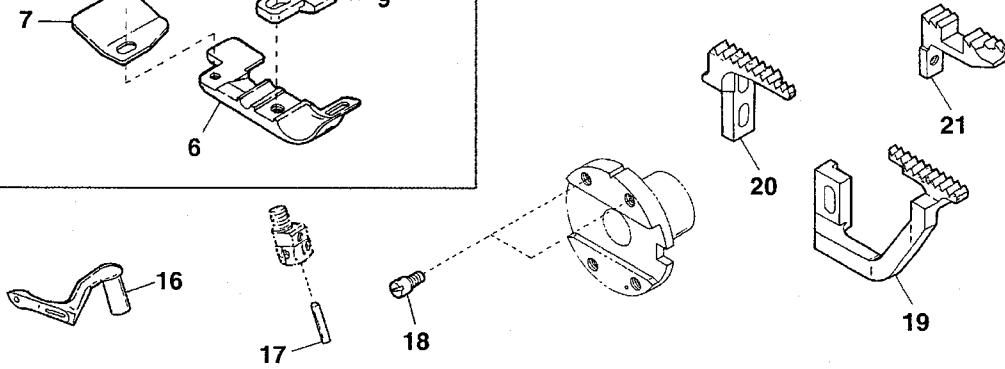
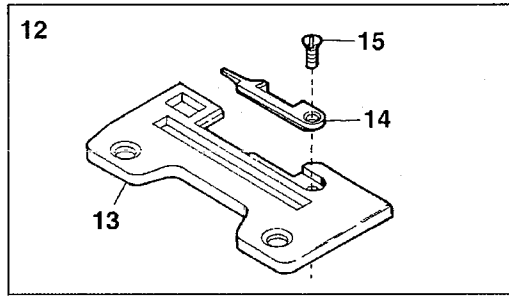
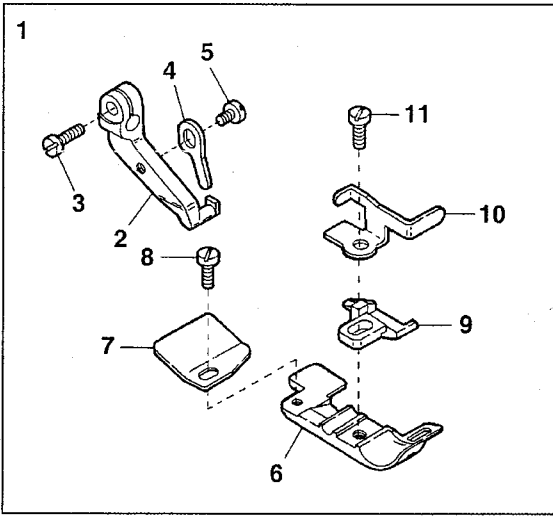


| Ref.No | Parts No. | Description | 品名 | Amt. Req |
|--------|-----------|-----------------------------------|----------------|----------|
| 1 | 6207025 | Presser Foot, Complete Set(O4) | 押エ(組) | 1 |
| 2 | 6207001 | Presser Foot Hinge | 押エヒンジ | 1 |
| 3 | 110004 | Screw(M3.5-0.6 × 8) | 止ネジ | 1 |
| 4 | 6207003 | Presser Foot Half-stay | 半固定片 | 1 |
| 5 | 110050 | Screw(M3.5-0.6 × 4.5) | 止ネジ | 1 |
| 6 | 6207026 | Presser Foot(Lower) | 押エ(下) | 1 |
| 7 | 6207027 | Presser Foot Stitch Tongue(O4) | 爪 | 1 |
| 8 | 6207000 | Finger Guard | フィンガガード | 1 |
| 9 | 005036 | Screw(1/8-44 × 5.6) | 止ネジ | 3 |
| 10 | 6201000 | Cloth Plate | クロスプレート | 1 |
| 11 | 6201001 | Cloth Plate(Lower) | クロスプレート(下) | 1 |
| 12 | 6201002 | Rubber Cushion | クロスプレート(下)埋メ座 | 1 |
| 13 | 6201017 | Pin | ピン | 1 |
| 14 | 6208004 | Stitch Plate(O4) | 針板 | 1 |
| 15 | 6209009 | Differential Feed Dog | 前送り | 1 |
| 16 | 6209010 | Main Feed Dog | 後送り | 1 |
| 17 | 6209302 | Upper Looper | 上ルーパ | 1 |
| 18 | 6201003 | Blind Hemming Guide, C. Set | 裾引定規(組) | 1 |
| 19 | 6201004 | Overhanging Guide Hinge, C. Set | 定規(組) | 1 |
| 20 | 6201005 | Hemming Positioner | 裾引幅調節片 | 1 |
| 21 | 000533 | Washer | ワッシャ | 1 |
| 22 | 007006 | Screw(9/64-40 × 4) | 止ネジ | 1 |
| 23 | 6201006 | Blind-Hemming Edge Guide, C. Set | 裾引定規台(組) | 1 |
| 24 | 6201007 | Blind-Hemming Edge Guide | 裾引定規台 | 1 |
| 25 | 009624 | Screw(1/8-44 × 5.3) | 止ネジ | 1 |
| 26 | 6201008 | Swing-out Lever | スイングアウトレバー | 1 |
| 27 | 004150 | Screw(11/64-40 × 5.2) | 止ネジ | 1 |
| 28 | 000172 | Conical Spring Washer | 皿バネワッシャ | 1 |
| 29 | 000334 | Nut | ナット | 1 |
| 30 | 6201009 | Overhanging Guide Hinge Stop | 定規ストッパ | 1 |
| 31 | 001331 | Screw(9/64-40 × 3.8) | 止ネジ | 1 |
| 32 | 6201010 | Swing-out Lever Holder | スイングアウトレバー取付台 | 1 |
| 33 | 6201011 | Swing-out Lever Stop | スイングアウトレバーストッパ | 1 |
| 34 | 6201012 | Edge Guide Positioning Pin | 定規固定ピン | 2 |
| 35 | 6201013 | Positioning Pin Holder Spring | 定規固定ピン押エバネ | 2 |
| 36 | 001225 | Screw(1/8-44 × 2.8) | 止ネジ | 1 |
| 37 | 001196 | Screw(1/8-44 × 6) | 止ネジ | 3 |
| 38 | 6201014 | Edge Guide Adjusting Holder | 裾引調節台 | 1 |
| 39 | 004106 | Screw(9/64-40 × 6.5) | 止ネジ | 2 |
| 40 | 007619 | Screw(9/64-40 × 6.3) | 止ネジ | 1 |
| 41 | 6201015 | Adjusting Screw Guide Piece | 調節ネジガイド | 1 |
| 42 | 006444 | Adjusting Screw(1/8-44 × 12.9) | 調節ネジ | 1 |
| 43 | 6201016 | Edge Guide Adjusting Holder Cover | 裾引調節台蓋 | 1 |
| 44 | 110047 | Screw(M4-0.7 × 10) | 止ネジ | 2 |

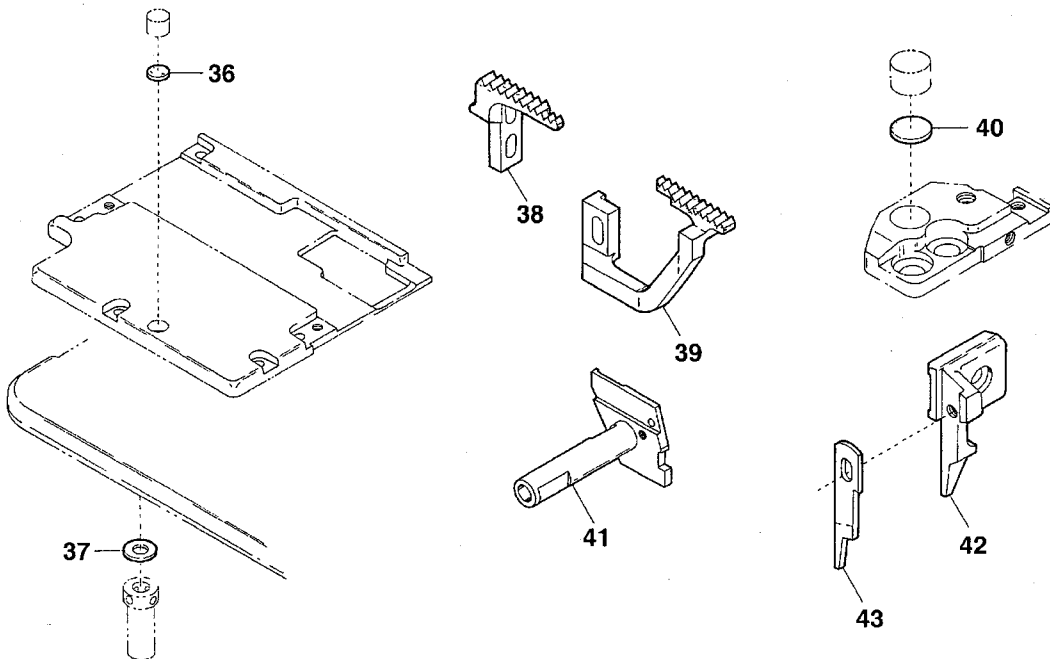
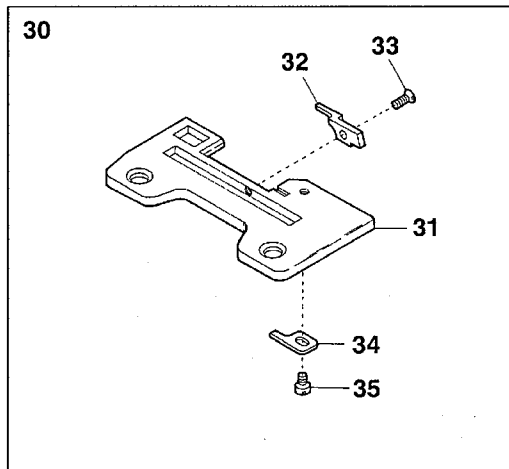
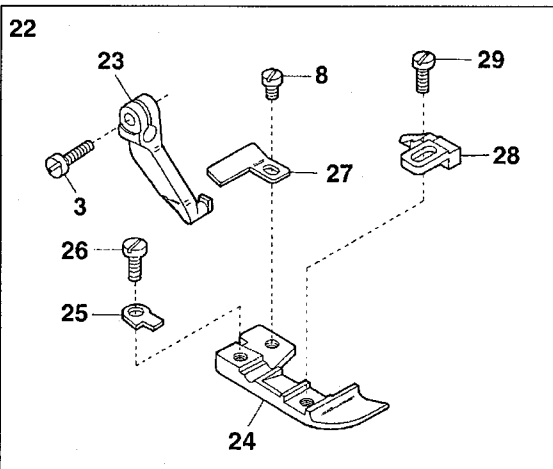


| Ref.No | Parts No. | Description | 品 名 | Amt. Req |
|--------|-----------|--------------------------------|---------|----------|
| 1 | 6207043 | Presser Foot, C. Set(O4) | 押エ(組) | 1 |
| 2 | 6207001 | Presser Foot Hinge | 押エヒンジ | 1 |
| 3 | 110004 | Screw(M3.5-0.6 × 8) | 止ネジ | 1 |
| 4 | 6207002 | Presser Foot(Lower) | 押エ(下) | 1 |
| 5 | 6207045 | Presser Foot Stitch Tongue(O4) | 爪 | 1 |
| 6 | 6207000 | Finger Guard | フィンガガード | 1 |
| 7 | 000444 | Washer | ワッシャ | 1 |
| 8 | 005036 | Screw(1/8-44 × 5.6) | 止ネジ | 1 |
| 9 | 6200034 | Thread Chain Guide | 空環ガイド | 1 |
| 10 | 004237 | Screw(3/32-56 × 2.6) | 止ネジ | 1 |
| 11 | 6207003 | Presser Foot Half-stay | 半固定片 | 1 |
| 12 | 110050 | Screw(M3.5-0.6 × 4.5) | 止ネジ | 1 |
| 13-1 | 6208044 ◆ | Stitch Plate(O3) | 針板 | 1 |
| 13-2 | 6208011 | Stitch Plate(O4) | 針板 | 1 |
| 14 | 6209302 | Upper Looper | 上ルーパ | 1 |
| 15 | 6201017 | Pin | ピン | 1 |
| 16 | 6209000 | Differential Feed Dog(O4) | 前送り | 1 |

CZ6016

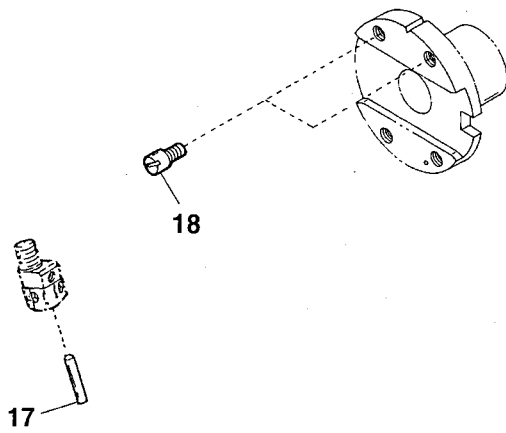
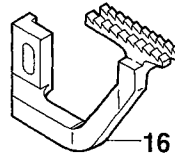
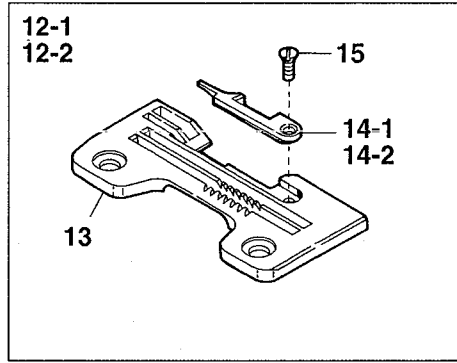
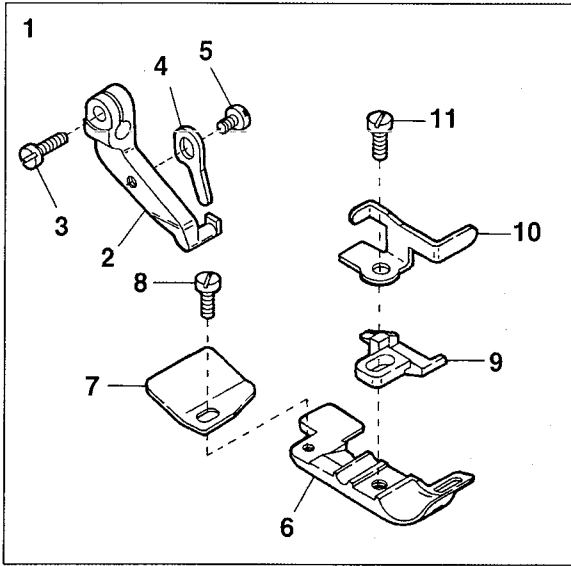


EXTRA PARTS

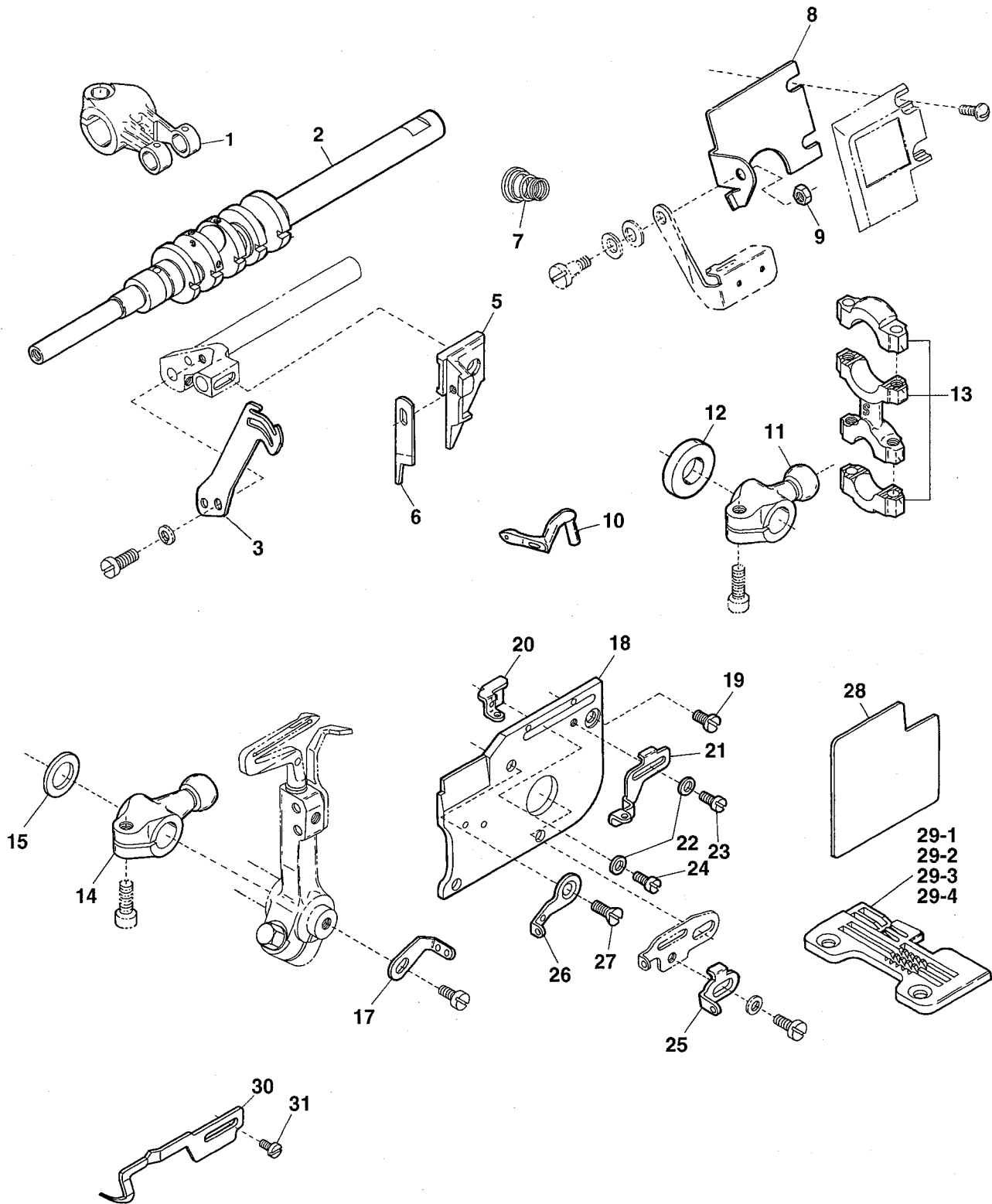


| Ref.No | Parts No. | Description | 品名 | Amt. Req |
|--------|-----------|---|-----------|----------|
| 1 | 6207073 | Presser Foot, C. Set(O2) | 押エ(組) | 1 |
| 2 | 6207001 | Presser Foot Hinge | 押エヒンジ | 1 |
| 3 | 110004 | Screw(M3.5-0.6 × 8) | 止ネジ | 1 |
| 4 | 6207003 | Presser Foot Half-stay | 半固定片 | 1 |
| 5 | 110050 | Screw(M3.5-0.6 × 4.5) | 止ネジ | 1 |
| 6 | 6207089 | Presser Foot (Lower) | 押エ(下) | 1 |
| 7 | 6200034 | Thread Chain Guide | 空環ガイド | 1 |
| 8 | 004237 | Screw(3/32-56 × 2.6) | 止ネジ | 1 |
| 9 | 6207072 | Presser Foot Stitch Tongue | 爪 | 1 |
| 10 | 6207112 | Finger Guard | フィンガガード | 1 |
| 11 | 005036 | Screw(1/8-44 × 5.6) | 止ネジ | 1 |
| 12 | 6208035 | Stitch Plate, C. Set(O2) | 針板(組) | 1 |
| 13 | 6208034 | Stitch Plate(O2) | 針板 | 1 |
| 14 | 6208023 | Stitch Plate Tongue | 針板爪 | 1 |
| 15 | 004182 | Screw(3/32-56 × 2.5) | 止ネジ | 1 |
| 16 | 6209302 | Upper Looper | 上ルーパ | 1 |
| 17 | 6201017 | Pin | ピン | 1 |
| 18 | 180002 | Screw(M3-0.5 × 4) | 止ネジ | 2 |
| 19 | 6209031 | Differential Feed Dog | 前送り | 1 |
| 20 | 6209032 | Main Feed Dog | 後送り | 1 |
| 21 | 6209013 | Auxiliary Feed Dog | 小送り | 1 |
| 22 | 6207029 | Presser Foot, C. Set(O2) | 押エ(組) | 1 |
| 23 | 6207055 | Presser Foot Hinge | 押エヒンジ | 1 |
| 24 | 6207030 | Presser Foot(Lower) | 押エ(下) | 1 |
| 25 | 6207031 | Presser Foot Hinge Spring | 押エヒンジバネ | 1 |
| 26 | 004131 | Screw(1/8-44 × 6) | 止ネジ | 1 |
| 27 | 6207032 | Thread Chain Guide | 空環ガイド | 1 |
| 28 | 6207033 | Presser Foot Stitch Tongue | 爪 | 1 |
| 29 | 004138 | Screw(1/8-44 × 5) | 止ネジ | 1 |
| 30 | 6208005 | Stitch Plate, Complete Set | 針板(組) | 1 |
| 31 | 6208006 | Stitch Plate | 針板 | 1 |
| 32 | 6208007 | Stitch Plate Tongue | 針板爪 | 1 |
| 33 | 004204 | Screw(3/32-100 × 2.2) | 止ネジ | 1 |
| 34 | 6208008 | Stitch Plate Tongue Stop | 針板爪ストッパ | 1 |
| 35 | 001228 | Screw(3/32-56 × 3.2) | 止ネジ | 1 |
| 36 | 000933 | Rubber Cushion(Medium) | 埋メ座(中) | 1 |
| 37 | 300040 | Washer | ワッシャ | 1 |
| 38 | 6209012 | Main Feed Dog(with Rubber Face) | 後送り(ゴム送り) | 1 |
| 39 | 6209011 | Differential Feed Dog(with Rubber Face) | 前送り(ゴム送り) | 1 |
| 40 | 000932 | Rubber Cushion(Large) | 埋メ座(大) | 1 |
| 41 | 6201020 | Lower Knife Holder | 下メス台 | 1 |
| 42 | 6201019 | Upper Knife Holder | 上メスホルダ | 1 |
| 43 | 6201018 | Upper Knife | 上メス | 1 |

CZ6016-61



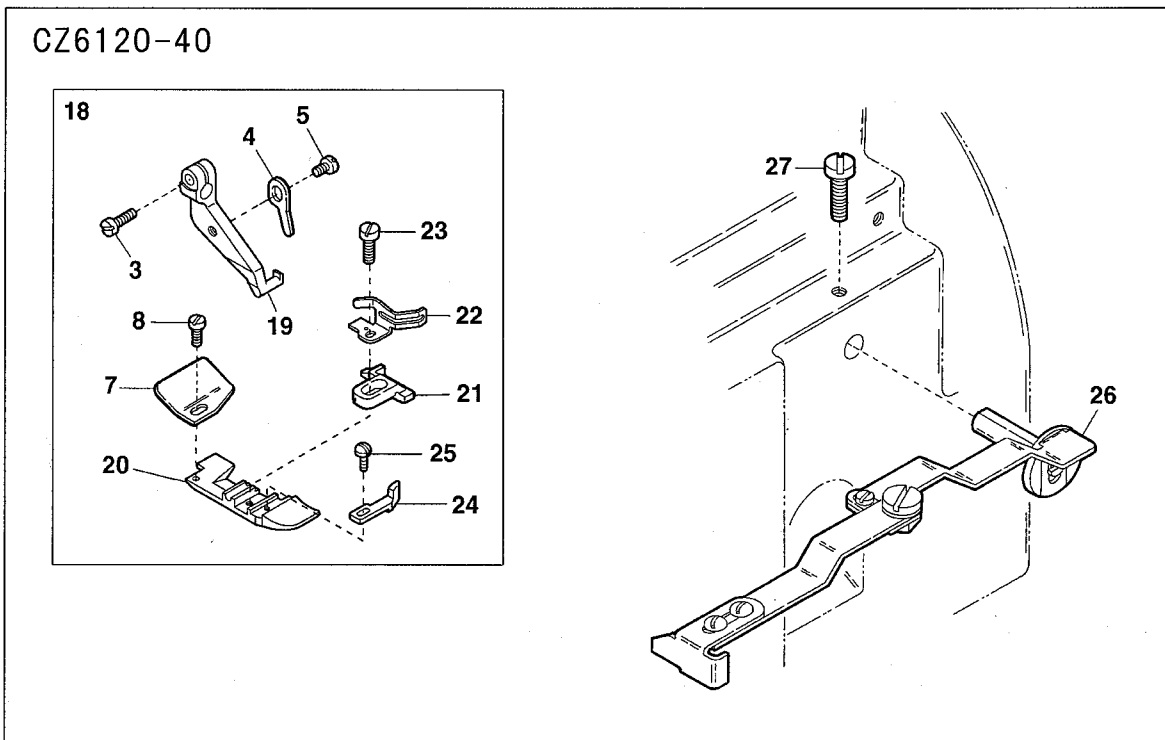
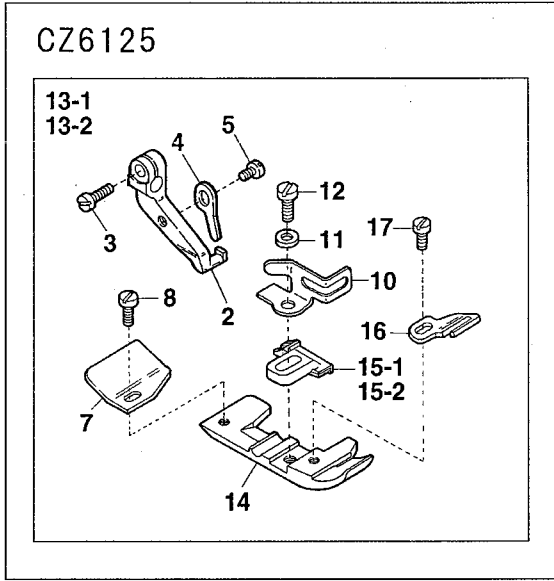
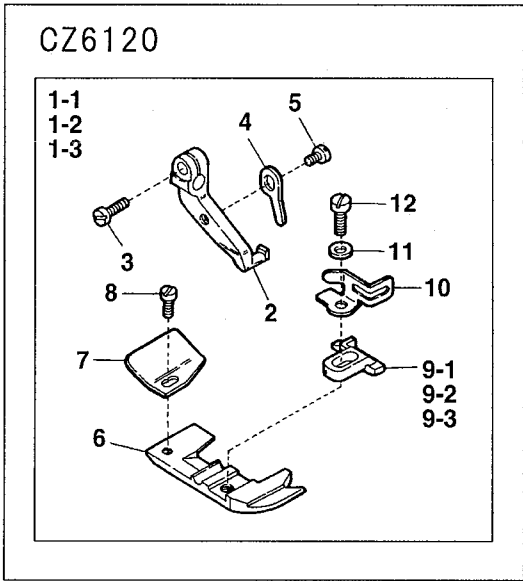
| Ref.No | Parts No. | Description | 品名 | Amt. Req |
|--------|-----------|------------------------------------|---------|----------|
| 1 | 6207073 | Presser Foot, Complete Set(02, 03) | 押エ(組) | 1 |
| 2 | 6207001 | Presser Foot Hinge | 押エヒンジ | 1 |
| 3 | 110004 | Screw(M3.5-0.6 × 8) | 止ネジ | 1 |
| 4 | 6207003 | Presser Foot Half-stay | 半固定片 | 1 |
| 5 | 110050 | Screw(M3.5-0.6 × 4.5) | 止ネジ | 1 |
| 6 | 6207089 | Presser Foot(Lower) | 押エ(下) | 1 |
| 7 | 6200034 | Thread Chain Guide | 空環ガイド | 1 |
| 8 | 004237 | Screw(3/32-56 × 2.6) | 止ネジ | 1 |
| 9 | 6207072 | Presser Foot Stitch Tongue | 爪 | 1 |
| 10 | 6207112 | Finger Guard | フィンガガード | 1 |
| 11 | 005036 | Screw(1/8-44 × 5.6) | 止ネジ | 1 |
| 12-1 | 6208023 | Stitch Plate, Complete Set(02) | 針板(組) | 1 |
| 12-2 | 6208018 | Stitch Plate, Complete Set(03) | 針板(組) | 1 |
| 13 | 6208019 | Stitch Plate | 針板 | 1 |
| 14-1 | 6208022 | Stitch Plate Tongue(02) | 針板爪 | 1 |
| 14-2 | 6208020 | Stitch Plate Tongue(03) | 針板爪 | 1 |
| 15 | 004182 | Screw(3/32-56 × 2.5) | 止ネジ | 1 |
| 16 | 6209023 | Differential Feed Dog | 前送り | 1 |
| 17 | 6201017 | Pin | ピン | 1 |
| 18 | 180002 | Screw(M3-0.5 × 4) | 止ネジ | 2 |



CZ6120, 6120-40, 6125 EXCLUSIVE PARTS(1) サブモデル専用部品(1) 18

| Ref.No | Parts No. | Description | 品 名 | Amt. Req |
|--------|-----------|-------------------------------------|-----------|----------|
| 1 | 6200058 | Needle Bar Driving Lever | 針棒クランク軸腕 | 1 |
| 2 | 6200134 | Crankshaft | クランクシャフト | 1 |
| 3 | 6200135 | Needle Thread Pull-off | 針糸繰り | 1 |
| 4 | | | | |
| 5 | 6200136 | Upper Knife Holder(Flat Type) | 上メスホルダ(平) | 1 |
| 6 | 6200308 | Upper Knife(Flat Type) | 上メス(平) | 1 |
| 7 | 6100058 | Tension Spring(Needle) | 糸調子バネ(針糸) | 1 |
| 8 | 6200128 | Eye Guard Spacer | アイガードスペーサ | 1 |
| 9 | 100001 | Nut | ナット | 1 |
| 10 | 6209304 | Upper Looper | 上ルーパ | 1 |
| 11 | 6200455 | Upper Looper Driving Lever | 上ルーパ軸腕 | 1 |
| 12 | 6200488 | Driving Shaft Thrust Ring | スラストリング | 1 |
| 13 | 6200108 | Looper Driving Lever Connecting Rod | ルーパロッド | 1 |
| 14 | 6200457 | Lower Looper Driving Lever | 下ルーパ軸腕 | 1 |
| 15 | 6200517 | Driving Shaft Thrust Ring | スラストリング | 1 |
| 16 | | | | |
| 17 | 6200459 | Looper Thread Pull-off | ルーパ糸繰り | 1 |
| 18 | 6200460 | Looper Holder Cover | ルーパ台カバー | 1 |
| 19 | 110001 | Screw(M4-0.7 × 5.4) | 止ネジ | 1 |
| 20 | 6200461 | Upper Looper Thread Eyelet | 上ルーパ糸道 | 1 |
| 21 | 6200462 | Lower Looper Thread Eyelet | 下ルーパ糸道 | 1 |
| 22 | 000014 | Washer | ワッシャ | 2 |
| 23 | 110002 | Screw(M3-0.5 × 5) | 止ネジ | 1 |
| 24 | 110026 | Screw(M3-0.5 × 6) | 止ネジ | 1 |
| 25 | 6200463 | Lower Looper Thread Pull-off | 下ルーパ糸繰り | 1 |
| 26 | 6200464 | Looper Thread Eyelet(Left) | ルーパ糸道(左) | 1 |
| 27 | 130020 | Screw(M4-0.7 × 6.3) | 止ネジ | 1 |
| 28 | 390663 | Thread Chart | 糸通シ図 | 1 |
| 29-1 | 6208000 | Stitch Plate(Y5) | 針板 | 1 |
| 29-2 | 6208002 | Stitch Plate(Y6) | 針板 | 1 |
| 29-3 | 6208014 | Stitch Plate(Y7) | 針板 | 1 |
| 29-4 | 6208016 | Stitch Plate(Y8) | 針板 | 1 |
| 30 | 6208026 | Adjustable Stitch Tongue | 移動式爪 | 1 |
| 31 | 110064 | Screw(M4-0.7 × 8) | 止ネジ | 2 |

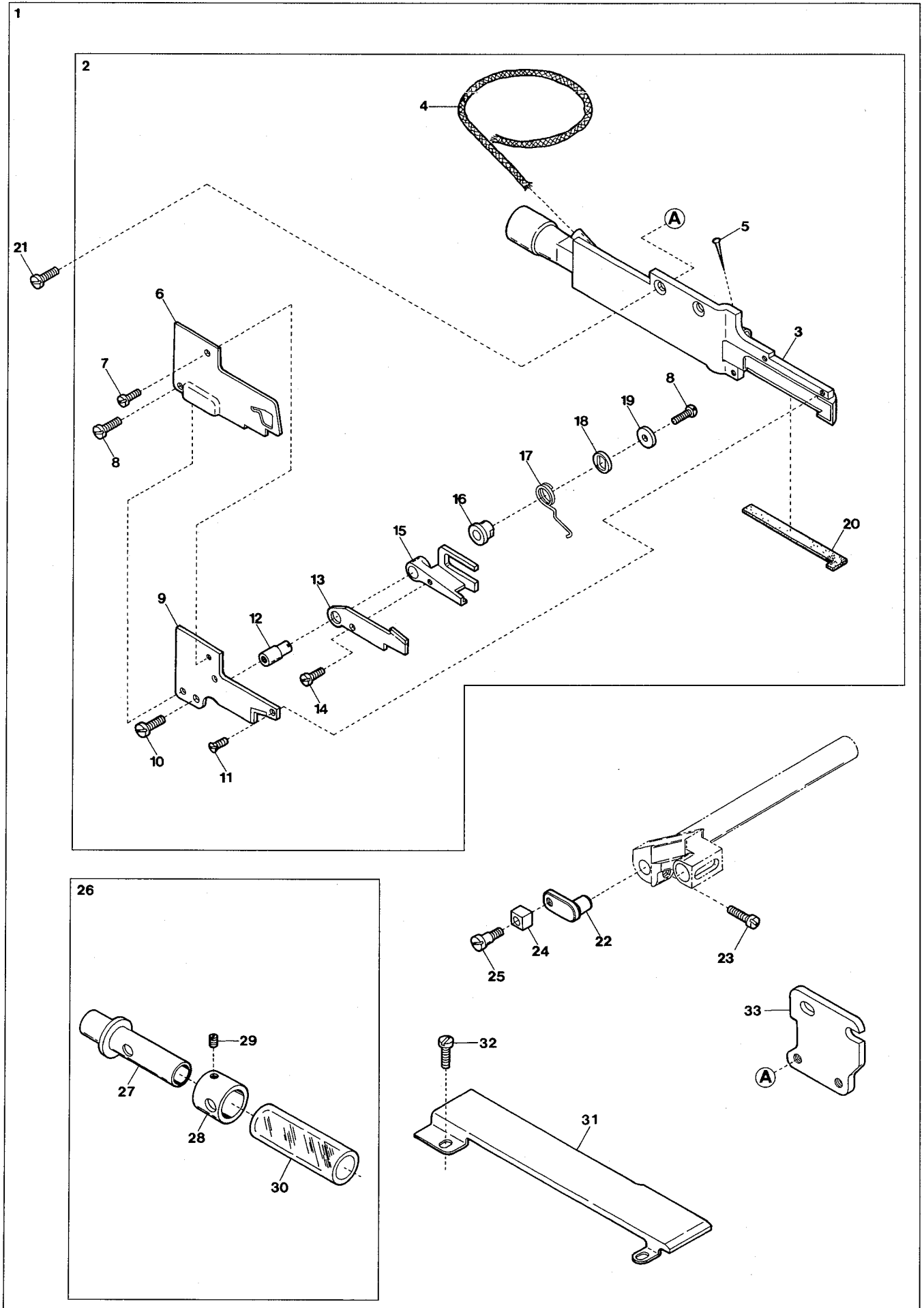
CZ6120, 6120-40, 6125(2)



CZ6120, 6120-40, 6125 EXCLUSIVE PARTS(2) サブモデル専用部品(2) 19

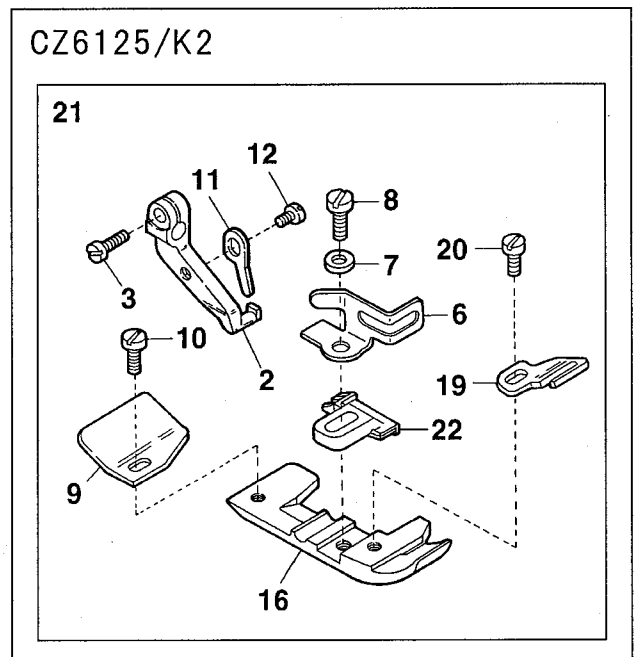
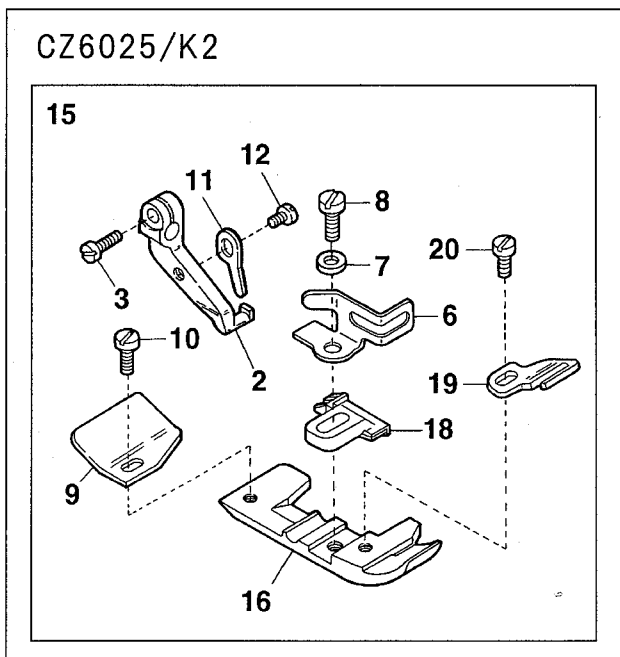
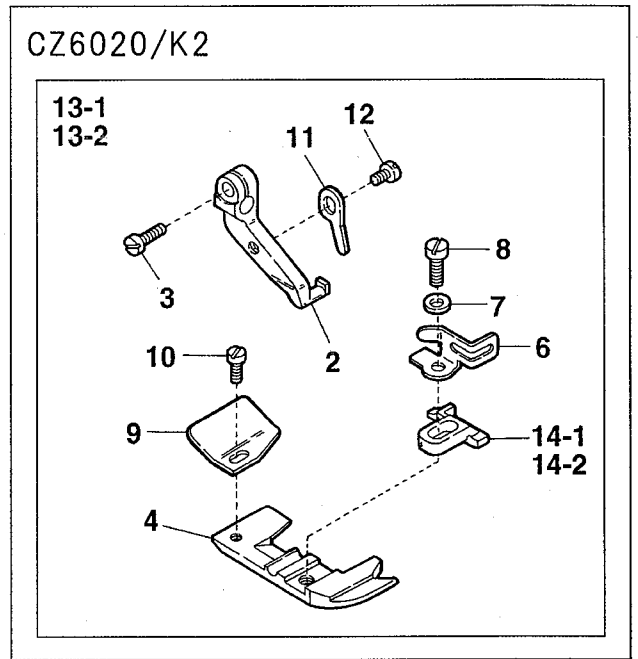
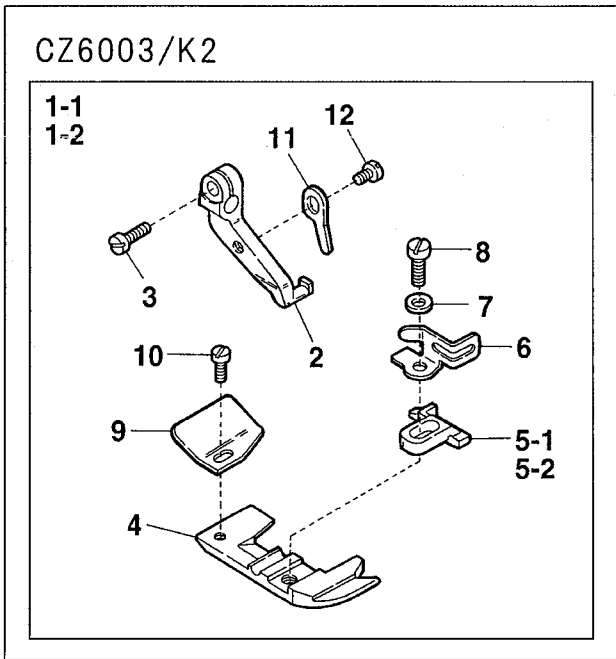
| Ref.No | Parts No. | Description | 品名 | Amt. Req |
|--------|-----------|------------------------------------|----------|----------|
| 1-1 | 6207044 | Presser Foot, C. Set(Y5, Y6) | 押エ(組) | 1 |
| 1-2 | 6207063 | Presser Foot, C. Set(Y7) | 押エ(組) | 1 |
| 1-3 | 6207067 | Presser Foot, C. Set(Y8) | 押エ(組) | 1 |
| 2 | 6207001 | Presser Foot Hinge | 押エヒンジ | 1 |
| 3 | 110004 | Screw(M3.5-0.6 × 8) | 止ネジ | 1 |
| 4 | 6207003 | Presser Foot Half-stay | 半固定片 | 1 |
| 5 | 110050 | Screw(M3.5-0.6 × 4.5) | 止ネジ | 1 |
| 6 | 6207002 | Presser Foot (Lower) | 押エ(下) | 1 |
| 7 | 6200034 | Thread Chain Guide | 空環ガイド | 1 |
| 8 | 004237 | Screw(3/32-56 × 2.6) | 止ネジ | 1 |
| 9-1 | 6207046 | Presser Foot Stitch Tongue(Y5, Y6) | 爪 | 1 |
| 9-2 | 6207058 | Presser Foot Stitch Tongue(Y7) | 爪 | 1 |
| 9-3 | 6207070 | Presser Foot Stitch Tongue(Y8) | 爪 | 1 |
| 10 | 6207018 | Finger Guard | フィンガガード | 1 |
| 11 | 000444 | Washer | ワッシャ | 1 |
| 12 | 005036 | Screw(1/8-44 × 5.6) | 止ネジ | 1 |
| 13-1 | 6207021 | Presser Foot, C. Set(Y5, Y6) | 押エ(組) | 1 |
| 13-2 | 6207059 | Presser Foot, C. Set(Y7) | 押エ(組) | 1 |
| 14 | 6207019 | Presser Foot (Lower) | 押エ(下) | 1 |
| 15-1 | 6207022 | Presser Foot Stitch Tongue(Y5, Y6) | 爪 | 1 |
| 15-2 | 6207056 | Presser Foot Stitch Tongue(Y7) | 爪 | 1 |
| 16 | 6207018 | Presser Foot Tape Guide | 押エテープガイド | 1 |
| 17 | 001230 | Screw(3/32-56 × 3.8) | 止ネジ | 1 |
| 18 | 6207113 | Presser Foot, C. Set(Y5) | 押エ(組) | 1 |
| 19 | 6207114 | Presser Foot Hinge | 押エヒンジ | 1 |
| 20 | 6207115 | Presser Foot (Lower) | 押エ(下) | 1 |
| 21 | 6207116 | Presser Foot Stitch Tongue(Y5) | 爪 | 1 |
| 22 | 6207117 | Finger Guard | フィンガガード | 1 |
| 23 | 110121 | Screw(1/8-44 × 5.6) | 止ネジ | 1 |
| 24 | 6207118 | Presser Foot Chip | 押エチップ | 1 |
| 25 | 004236 | Screw(3/32-56 × 4.2) | 止ネジ | 1 |
| 26 | 6200567 | Edge Guide Unit | 当て定規(組) | 1 |
| 27 | 110009 | Screw(M4-0.7 × 8) | 止ネジ | 1 |

K2 DEVICE(1)



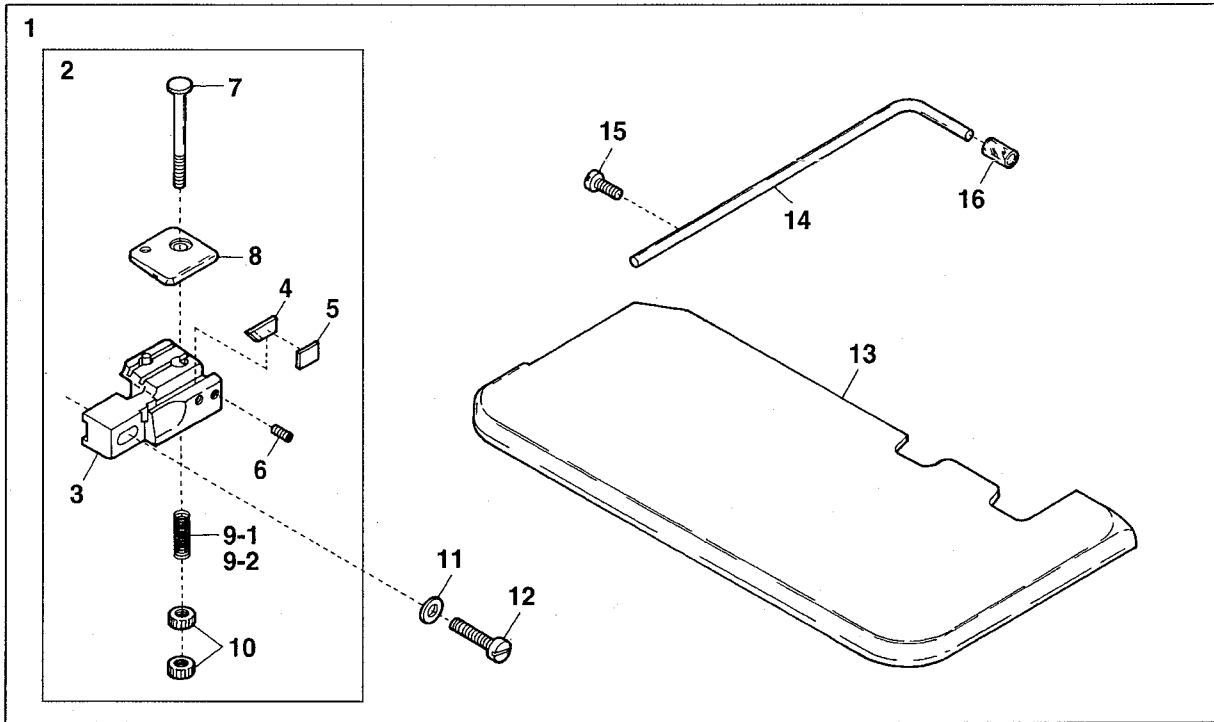
| Ref.No | Parts No. | Description | 品 名 | Amt. Req |
|--------|-----------|--|-------------|----------|
| 1 | 6201021 | K2 Device, Complete Set | K2装置(組) | 1 |
| 2 | 6201022 | Suction Pipe, Complete Set | 吸込管(組) | 1 |
| 3 | 6201023 | Suction Pipe | 吸込管本体 | 1 |
| 4 | 310017 | Oil Wick | 油芯 | 1 |
| 5 | 000755 | Oil Wick Pin | 止メピン | 1 |
| 6 | 6201024 | Suction Pipe Cover | 吸込管カバー | 1 |
| 7 | 004237 | Screw(3/32-56 × 2.6) | 止ネジ | 1 |
| 8 | 004404 | Screw(3/32-56 × 5.1) | 止ネジ | 2 |
| 9 | 6201025 | Upper Trimming Knife | 上刃 | 1 |
| 10 | 004131 | Screw(1/8-44 × 6) | 止ネジ | 1 |
| 11 | 004139 | Screw(3/32-56 × 3) | 止ネジ | 2 |
| 12 | 6201026 | Lower Trimming Knife Holder Pin | 下刃支持ピン | 1 |
| 13 | 6201027 | Lower Trimming Knife | 下刃 | 1 |
| 14 | 004236 | Screw(3/32-56 × 4.2) | 止ネジ | 1 |
| 15 | 6201040 | Lower Trimming Knife Driving Plate | 下刃駆動板 | 1 |
| 16 | 6201041 | Spring Sleeve | 下刃バネスリーブ | 1 |
| 17 | 6201042 | Lower Trimming Knife Pushing Spring | 下刃圧着バネ | 1 |
| 18 | 6201043 | Spring Protect Washer | 下刃バネワッシャ | 1 |
| 19 | 6201044 | Washer | ワッシャ | 1 |
| 20 | 6201045 | Air Shield Rubber | 隙間防止ゴム | 1 |
| 21 | 001202 | [007623] Screw(9/64-44 × 6.6)[9/64-40 × 5.3] | 止ネジ | 2 |
| 22 | 6201046 | Lower Trimming Knife Guide Support | 下刃ガイド取付台 | 1 |
| 23 | 110006 | Screw(M3.5-0.6 × 10) | 止ネジ | 1 |
| 24 | 6201047 | Lower Trimming Knife Guide | 下刃ガイド | 1 |
| 25 | 270001 | Screw(1/8-44 × 3) | 止ネジ | 1 |
| 26 | 6201048 | Suction Power Control, C. Set | 吸引力調整管(組) | 1 |
| 27 | 6201039 | Suction Power Control Tube(Inner) | 吸引力調整台 | 1 |
| 28 | 6201049 | Suction Power Control Tube | 吸引力調整管 | 1 |
| 29 | 001892 | Screw(1/8-44 × 2.9) | 止ネジ | 1 |
| 30 | 6201050 | Nylon Hose | 吸引チューブ | 1 |
| 31 | 6201051 | Cloth Plate Spacer | クロスプレートスペーサ | 1 |
| 32 | 110042 | Screw(M3.5-0.6 × 4) | 止ネジ | 2 |
| 33 | 6201052 | Suction Pipe Support | 吸込管取付台 | 1 |

K2 DEVICE(2)

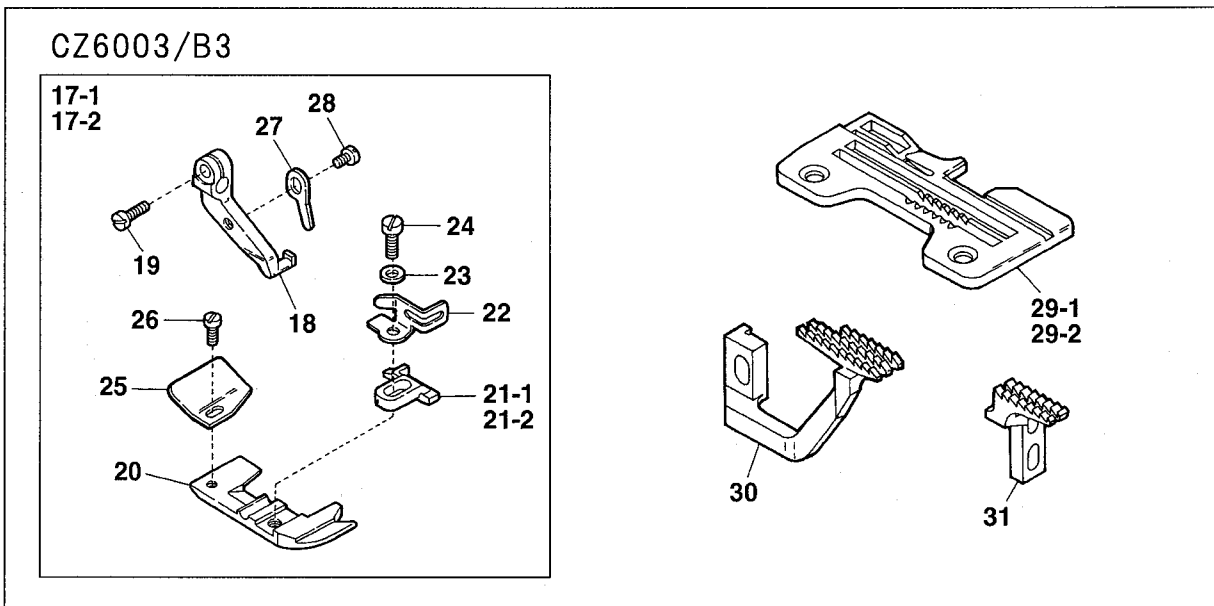


| Ref.No | Parts No. | Description | 品 名 | Amt. Req |
|--------|-----------|------------------------------------|----------|----------|
| 1-1 | 6207178 ◆ | Presser Foot, C. Set(O3) | 押エ(組) | 1 |
| 1-2 | 6207054 | Presser Foot, C. Set(O4) | 押エ(組) | 1 |
| 2 | 6207001 | Presser Foot Hinge | 押エヒンジ | 1 |
| 3 | 110004 | Screw(M3.5-0.6 × 8) | 止ネジ | 1 |
| 4 | 6207002 | Presser Foot(Lower) | 押エ(下) | 1 |
| 5-1 | 6207179 ◆ | Presser Foot Stitch Tongue(O3) | 爪 | 1 |
| 5-2 | 6207045 | Presser Foot Stitch Tongue(O4) | 爪 | 1 |
| 6 | 6207000 | Finger Guard | フィンガガード | 1 |
| 7 | 000444 | Washer | ワッシャ | 1 |
| 8 | 005036 | Screw(1/8-44 × 5.6) | 止ネジ | 1 |
| 9 | 6207047 | Thread Chain Guide | 空環ガイド | 1 |
| 10 | 004237 | Screw(3/32-56 × 2.6) | 止ネジ | 1 |
| 11 | 6207003 | Presser Foot Half-stay | 半固定片 | 1 |
| 12 | 110050 | Screw(M3.5-0.6 × 4.5) | 止ネジ | 1 |
| 13-1 | 6207049 | Presser Foot, C. Set(Y5, Y6) | 押エ(組) | 1 |
| 13-2 | 6207262 | Presser Foot, C. Set(X4) | 押エ(組) | 1 |
| 14-1 | 6207046 | Presser Foot Stitch Tongue(Y5, Y6) | 爪 | 1 |
| 14-2 | 6207057 | Presser Foot Stitch Tongue(X4) | 爪 | 1 |
| 15 | 6207050 | Presser Foot, C. Set(X4) | 押エ(組) | 1 |
| 16 | 6207019 | Presser Foot(Lower) | 押エ(下) | 1 |
| 17 | | | | |
| 18 | 6207051 | Presser Foot Stitch Tongue(X4) | 爪 | 1 |
| 19 | 6207018 | Presser Foot Tape Guide | 押エテープガイド | 1 |
| 20 | 001230 | Screw(3/32-56 × 3.8) | 止ネジ | 1 |
| 21 | 6207098 | Presser Foot, C. Set(Y5, Y6) | 押エ(組) | 1 |
| 22 | 6207022 | Presser Foot Stitch Tongue(Y5, Y6) | 爪 | 1 |

B3 DEVICE

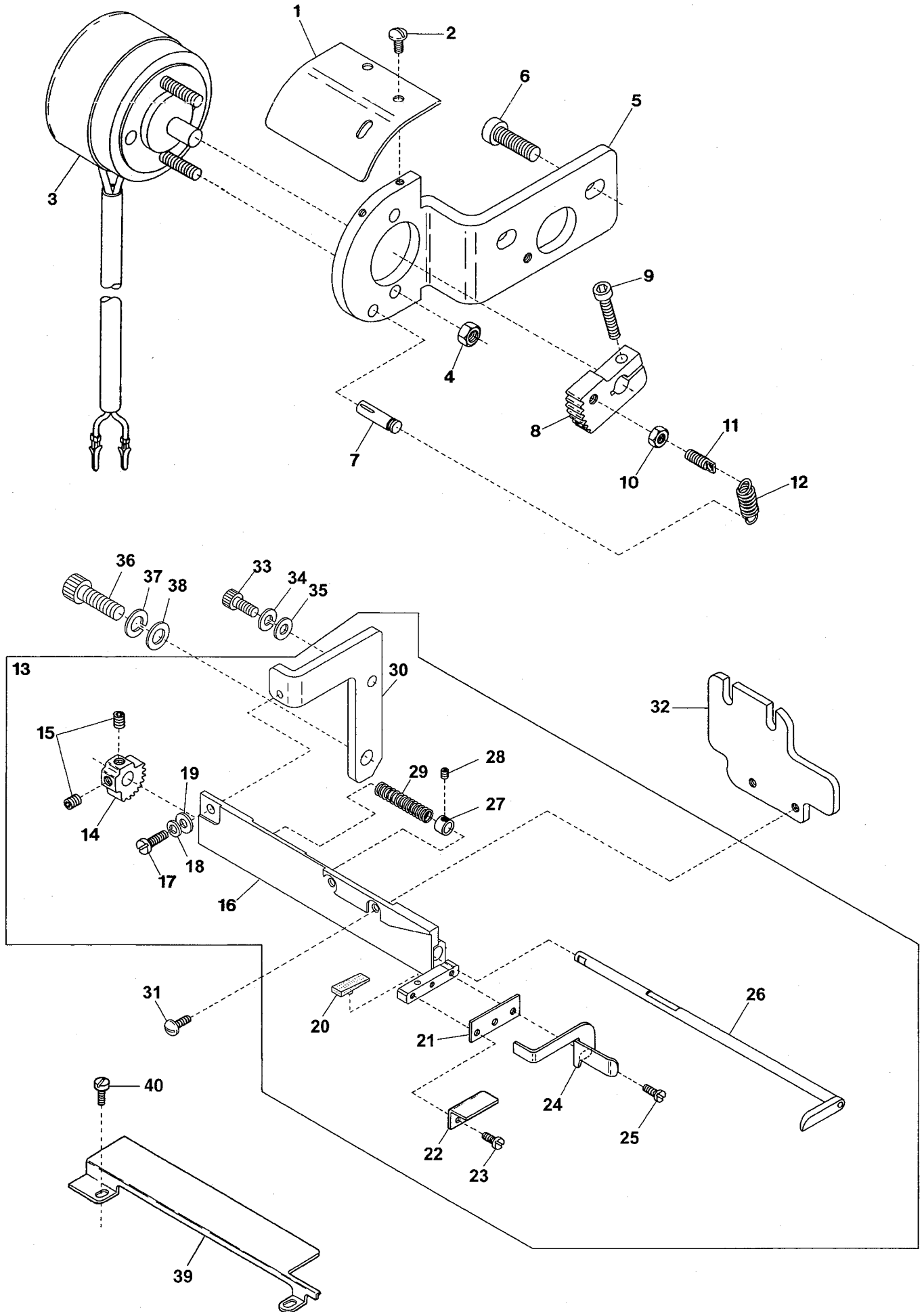


CZ6003/B3



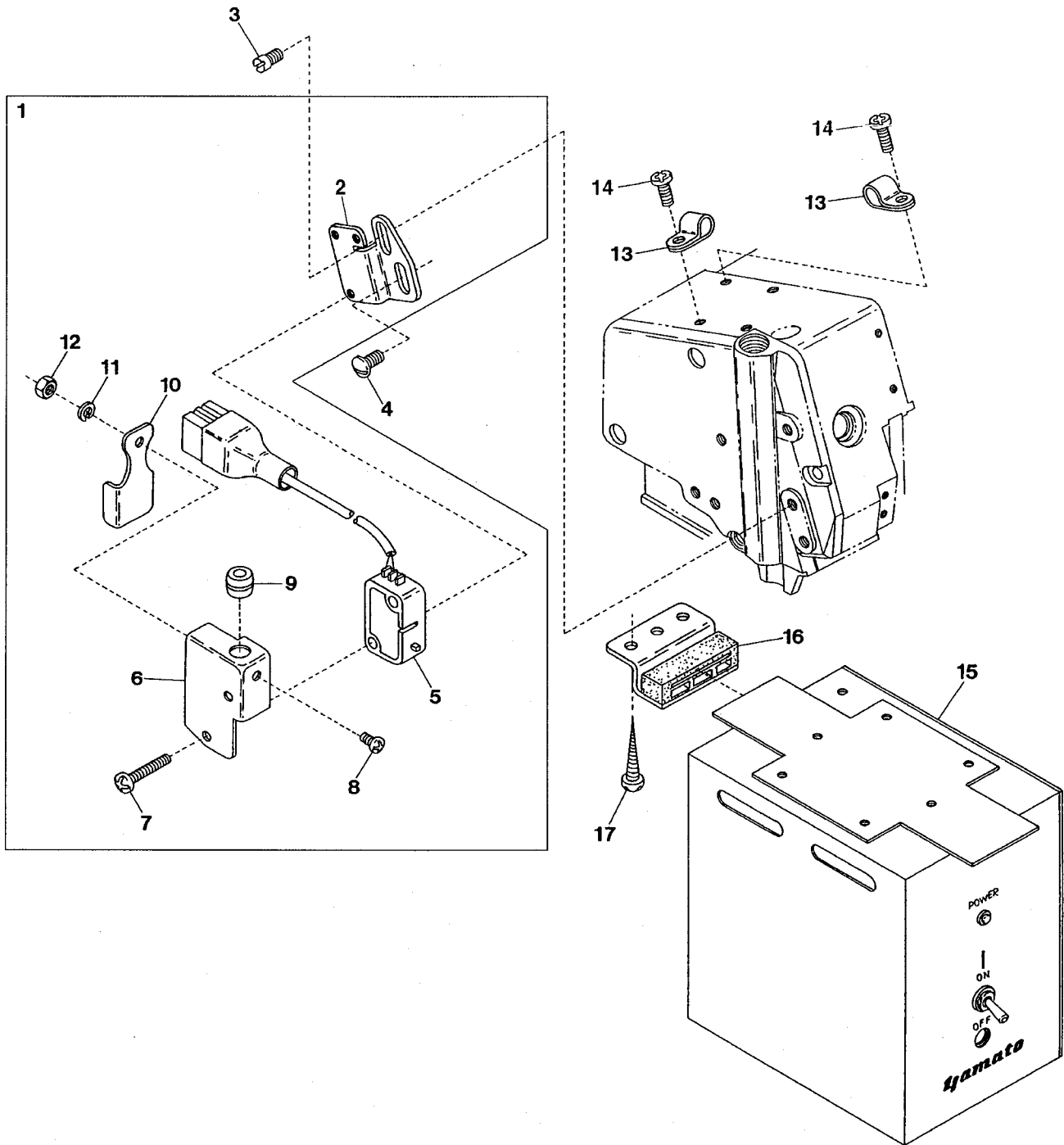
| Ref.No | Parts No. | Description | 品 名 | Amt. Req |
|--------|-----------|--|---------------|----------|
| 1 | 6201054 | B3 Device, C. Set | B3 装置(組) | 1 |
| 2 | 6201037 | Back Tack Cutting Unit | 空環切り装置(組) | 1 |
| 3 | 6201028 | Thread Chain Cutting Knife Holder | 刃取付台 | 1 |
| 4 | 6201053 | Thread Chain Cutting Knife | 刃 | 1 |
| 5 | 6201029 | Thread Chain Cutting Knife Holder Spacer | 刃取付台スペーサ | 1 |
| 6 | 003637 | Screw(1/8-44 × 2.5) | 止ネジ | 2 |
| 7 | 004205 | Screw(11/64-40 × 18) | 止ネジ | 1 |
| 8 | 6201036 | Thread Chain Holder | 空環押エ | 1 |
| 9-1 | 6201035 | Thread Chain Holder Spring(Standard) | 空環押エバネ(標準) | 1 |
| 9-2 | 6201034 | Thread Chain Holder Spring(with Stronger Pressure) | 空環押エバネ(バネ圧強い) | 1 |
| 10 | 000361 | Adjusting Nut | 空環押エバネ調節ナット | 2 |
| 11 | 000535 | Washer | ワッシャ | 1 |
| 12 | 110044 | Screw(M3-0.6 × 14) | 止ネジ | 1 |
| 13 | 6201033 | Cloth Plate | クロスプレート | 1 |
| 14 | 6201030 | Synchronizer Positioning Pin | ポジションナピン | 1 |
| 15 | 110009 | Screw(M4-0.7 × 8) | 止ネジ | 1 |
| 16 | 6200552 | Synchronizer Cushion | ポジションナピンクッション | 1 |
| 17-1 | 6207180 ◆ | Presser Foot, C. Set(O3) | 押エ(組) | 1 |
| 17-2 | 6207052 | Presser Foot, C. Set(O4) | 押エ(組) | 1 |
| 18 | 6207001 | Presser Foot Hinge | 押エヒンジ | 1 |
| 19 | 110004 | Screw(M4-0.7 × 8) | 止ネジ | 1 |
| 20 | 6207002 | Presser Foot(Lower) | 押エ(下) | 1 |
| 21-1 | 6207181 ◆ | Presser Foot Stitch Tongue(O3) | 爪 | 1 |
| 21-2 | 6207053 | Presser Foot Stitch Tongue(O4) | 爪 | 1 |
| 22 | 6207000 | Finger Guard | フィンガガード | 1 |
| 23 | 000444 | Washer | ワッシャ | 1 |
| 24 | 005036 | Screw(1/8-44 × 5.6) | 止ネジ | 1 |
| 25 | 6200034 | Thread Chain Guide | 空環ガイド | 1 |
| 26 | 004237 | Screw(3/32-56 × 1.7) | 止ネジ | 1 |
| 27 | 6207003 | Presser Foot Half-stay | 半固定片 | 1 |
| 28 | 110050 | Screw(M3.5-0.6 × 4.5) | 止ネジ | 1 |
| 29-1 | 6208045 ◆ | Stitch Plate(O3) | 針板 | 1 |
| 29-2 | 6208013 | Stitch Plate(O4) | 針板 | 1 |
| 30 | 6209015 | Differential Feed Dog | 前送り | 1 |
| 31 | 6209016 | Main Feed Dog | 後送り | 1 |

MT22 DEVICE(1)

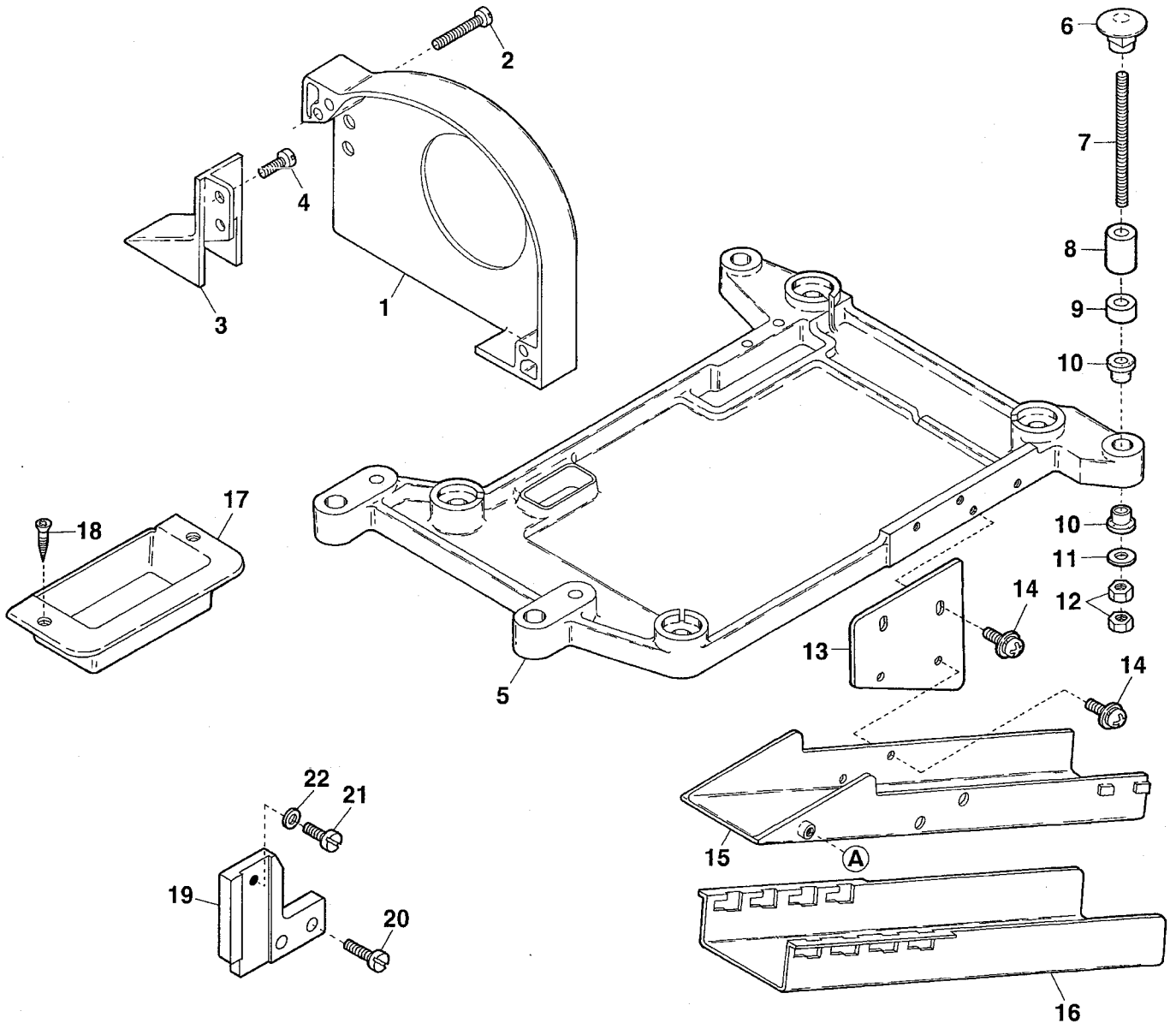


| Ref.No | Parts No. | Description | 品名 | Amt. Req |
|--------|-----------|---------------------------------|-------------|----------|
| 1 | 6201175 | Solenoid Cover | ソレノイドカバー | 1 |
| 2 | 006233 | Screw(M3-0.5 × 5) | 止ネジ | 2 |
| 3 | 6201169 | Solenoid | ソレノイド | 1 |
| 4 | 000206 | Nut | ナット | 2 |
| 5 | 6201171 | Solenoid Holder | ソレノイド取付台 | 1 |
| 6 | 009976 | Screw(M6-1 × 15) | 止ネジ | 2 |
| 7 | 340003 | Pin | バネ掛ケピン | 1 |
| 8 | 6201174 | Drive Gear | 駆動ギヤ | 1 |
| 9 | 009749 | Screw(M4-0.7 × 16) | 止ネジ | 1 |
| 10 | 000339 | Nut | ナット | 1 |
| 11 | 006638 | Screw(5/32-40 × 9.5) | 止ネジ | 1 |
| 12 | 6201172 | Solenoid Spring | ソレノイドバネ | 1 |
| 13 | 6201179 | Trimming Device C. Set | メス装置 (組) | 1 |
| 14 | 6201173 | Driven Gear | 従ギヤ | 1 |
| 15 | 160001 | Screw(M4-0.7 × 10) | 止ネジ | 2 |
| 16 | 6201178 | Upper Knife Holder | 上メス台 | 1 |
| 17 | 110039 | Screw(M3.5-0.6 × 10) | 止ネジ | 1 |
| 18 | 300050 | Spring Washer | スプリングワッシャ | 1 |
| 19 | 000532 | Washer | ワッシャ | 1 |
| 20 | 6200516 | Upper Knife Rubber Cushion | 上メスクッション | 1 |
| 21 | 6201166 | Lower Knife | 下メス | 1 |
| 22 | 6201167 | Lower Knife Fabric Guide | 下メス布案内 | 1 |
| 23 | 001230 | Screw(3/32-56 × 3.8) | 止ネジ | 2 |
| 24 | 6201177 | Fabric Guide(Finger guard) | 布ガイド | 1 |
| 25 | 004404 | Screw(3/32-56 × 5.1) | 止ネジ | 1 |
| 26 | 6201170 | Upper Knife | 上メス | 1 |
| 27 | 6201164 | Collar(6 × 9 × 5mm) | カラー | 1 |
| 28 | 003637 | Screw(1/8-44 × 2.5) | 止ネジ | 1 |
| 29 | 6201165 | Upper Knife Spring | 上メスバネ | 1 |
| 30 | 6201176 | Upper Knife Holder Fixing Block | 上メス固定台 | 1 |
| 31 | 004358 | Screw(9/64-40 × 5.6) | 止ネジ | 2 |
| 32 | 6201063 | Trimming Device Support | メス装置取付板 | 1 |
| 33 | 009748 | Screw(M4-0.7 × 12) | 止ネジ | 1 |
| 34 | 000644 | Spring Washer | スプリングワッシャ | 1 |
| 35 | 000665 | Washer | ワッシャ | 1 |
| 36 | 009976 | Screw(M6-1 × 15) | 止ネジ | 1 |
| 37 | 000661 | Spring Washer | スプリングワッシャ | 1 |
| 38 | 000425 | Washer | ワッシャ | 1 |
| 39 | 6201185 | Cloth Plate Spacer | クロスプレートスペーサ | 1 |
| 40 | 110042 | Screw(M3.5-0.6 × 4) | 止ネジ | 2 |

MT22 DEVICE(2)



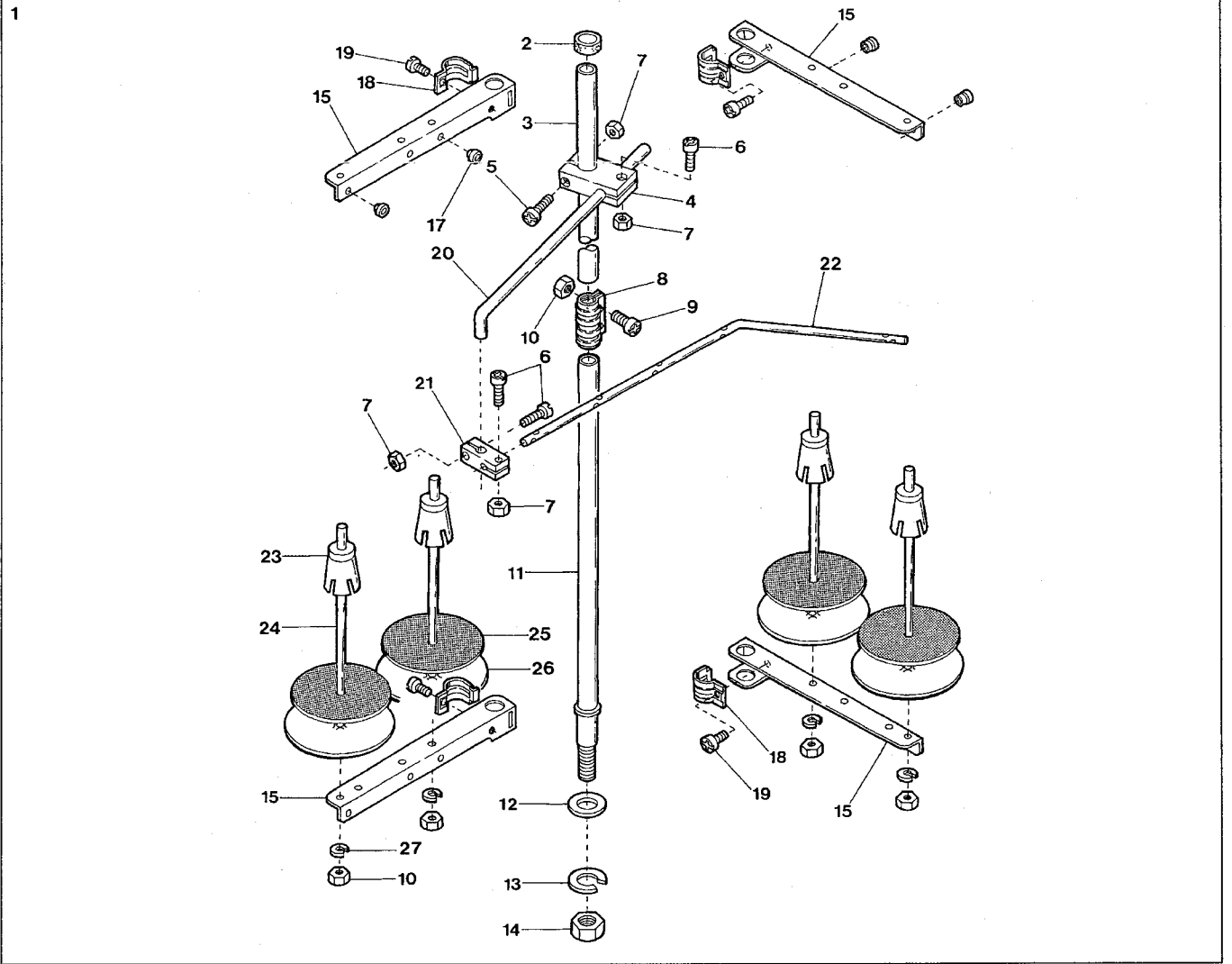
| Ref.No | Parts No. | Description | 品 名 | Amt. Req |
|--------|-----------|-----------------------|-----------|----------|
| 1 | 6201183 | Manual Switch, C. Set | スイッチ(組) | 1 |
| 2 | 6201187 | Switch Support | スイッチ取付板 | 1 |
| 3 | 180025 | Screw(M4-0.7 × 4.5) | 止ネジ | 1 |
| 4 | 110106 | Screw(M4-0.7 × 8) | 止ネジ | 2 |
| 5 | 6201182 | Switch | スイッチ | 1 |
| 6 | 6201186 | Switch Cover | スイッチカバー | 1 |
| 7 | 009993 | Screw(M3-0.6 × 16) | 止ネジ | 1 |
| 8 | 6201157 | Cord Bushing | コードブッシュ | 1 |
| 9 | 009995 | Screw(M3-0.6 × 5) | 止ネジ | 1 |
| 10 | 6201180 | Manual Switch Plate | スイッチ板 | 1 |
| 11 | 000002 | Spring Washer | スプリングワッシャ | 1 |
| 12 | 000488 | Nut | ナット | 1 |
| 13 | 6201181 | Cord Clamp(3.4-2N) | コードクランプ | 2 |
| 14 | 110012 | Screw(M4-0.7 × 5) | 止ネジ | 2 |
| 15 | 6201184 | Control Box, C. Set | 制御装置(組) | 1 |
| 16 | 6101118 | Control Stay | 制御ボックスステイ | 2 |
| 17 | 006905 | Wood Screw(Φ 5.1 × 5) | 木ネジ | 6 |



| Ref.No | Parts No. | Description | 品名 | Amt. Req |
|--------|-----------|---------------------------------|---------------|----------|
| 1 | 6200303 | Belt Cover | ベルトカバー | 1 |
| 2 | 110015 | Screw(M4-0.7 × 25) | 止ネジ | 2 |
| 3 | 6200304 | Supplementary Belt Cover | ベルト補助カバー | 1 |
| 4 | 110013 | Screw(M4-0.7 × 8) | 止ネジ | 2 |
| 5 | 6200148 | Supporting Board | 受ケ板 | 1 |
| 6 | 000070 | Hanging Nut | 吊リナット | 4 |
| 7 | 009861 | Hanging Bolt | 吊リボルト | 4 |
| 8 | 6200210 | Spacer(15mm) | 受ケ板スペーサ | 4 |
| 9 | 6101005 | Spacer(5mm)(See the below) | 受ケ板スペーサ(下記参照) | 4 |
| 10 | 6100326 | Supporting Board Rubber Cushion | 受ケ板ゴム座 | 8 |
| 11 | 000162 | Washer | ワッシャ | 4 |
| 12 | 000016 | Nut | ナット | 8 |
| 13 | 6200152 | Chute(Upper) Support | シュート(上)取付板 | 1 |
| 14 | 005624 | Screw(M4-0.7 × 10) | 止ネジ | 4 |
| 15 | 6200146 | Chute(Upper) | シュート(上) | 1 |
| 16 | 6200147 | Chute(Lower) | シュート(下) | 1 |
| 17 | 6200151 | Chip Receiver | 切屑受ケ | 1 |
| 18 | 350007 | Wood Screw(φ 3.5 × 16) | 木ネジ | 2 |
| 19 | 6200524 | Edge Guide Holder | 定規取付台 | 1 |
| 20 | 110035 | Screw(M4-0.7 × 10) | 止ネジ | 2 |
| 21 | 110009 | Screw(M4-0.7 × 8) | 止ネジ | 1 |
| 22 | 000665 | Washer | ワッシャ | 1 |

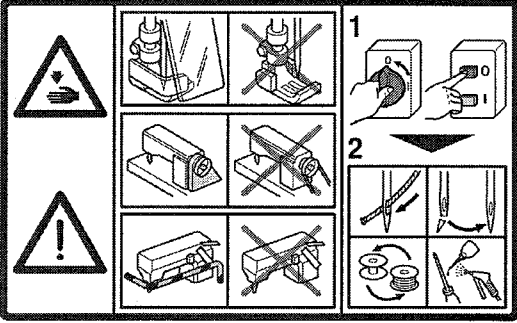
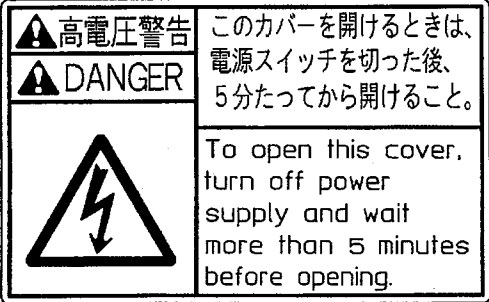




Note : Not necessary when the thickness of Table is 45mm.

(注) テーブルの厚さ45mmのときは不要。



| Ref.No | Parts No. | Description | 品名 | Amt. Req |
|--------|-----------|-------------------------------------|---------------|----------|
| 1 | 6802629 | Thread Stand, C. Set(4 Spools Type) | 糸立台(組)(4本糸用) | 1 |
| 2 | 6802601 | Column Cap | コラムキャップ | 1 |
| 3 | 6802602 | Column Pipe(Upper) | コラムパイプ(上) | 1 |
| 4 | 6802603 | Thread Guide Holder(Large) | ガイドホルダ(大) | 1 |
| 5 | 911002 | Screw(M4-0.7 × 20) | 止ネジ | 1 |
| 6 | 911001 | Screw(M4-0.7 × 12) | 止ネジ | 3 |
| 7 | 910001 | Nut | ナット | 4 |
| 8 | 6802604 | Column Pipe Connector | コラムパイプ継手 | 1 |
| 9 | 911006 | Screw(M5-0.8 × 13) | 止ネジ | 2 |
| 10 | 910000 | Nut | ナット | 6 |
| 11 | 6802605 | Column Pipe(Lower) | コラムパイプ(下) | 1 |
| 12 | 930052 | Washer | ワッシャ | 1 |
| 13 | 930053 | Spring Washer | スプリングワッシャ | 1 |
| 14 | 910003 | Nut(M16-1.5) | ナット | 1 |
| 15 | 6802606 | Thread Hanger(2 Spools Type) | スレッドハンガ(2本糸用) | 4 |
| 16 | | | | |
| 17 | 6802608 | Thread Eyelet | アイレット | 4 |
| 18 | 6802609 | Thread Hanger Holder | スレッドハンガ抱キ | 4 |
| 19 | 911060 | Screw(M6-1 × 15) | 止ネジ | 4 |
| 20 | 6802610 | Thread Guide Arm | ガイドアーム | 1 |
| 21 | 6802611 | Thread Guide Holder(Small) | ガイドホルダ(小) | 1 |
| 22 | 6802612 | Thread Guide(5 Spools Type) | スレッドガイド(5本糸用) | 1 |
| 23 | 6802613 | Spool Cushion | スプールクッション | 4 |
| 24 | 6802614 | Spool Pin | スプール軸 | 4 |
| 25 | 6802615 | Spool Mat | スプールマット | 4 |
| 26 | 6802616 | Spool Seat Disc | 受け皿 | 4 |
| 27 | 930055 | Spring Washer | スプリングワッシャ | 4 |

WARNING LABEL 警告ラベル

| LABEL ラベル | Parts No. 品番 | Description 品名 |
|---|-----------------|--|
|  | 390220 | SAFETY INSTRUCTOR LABEL |
|  | 390144 | DANGER : WARNING OF ELECTRIC SHOCK BY HIGH-VOLTAGE 感電注意ラベル |
|  | 390145 | "Be sure to connect earth line". アースラベル |
|  | 390146 | ROTATING-DIRECTION SYMBOL : CHECK CORRECT ROTATING DIRECTION 回転方向表示ラベル |
|  | 390147 | EYE GUARD : TAKE CARE NOT CAUSE INJURY TO EYES BELT COVER : DO NOT INSERT FINGERS ケガ注意ラベル |
|  | 390148 | CAUTION FOR HIGH TEMPERATURE : DO NOT TOUCH STEPPING MOTOR AND SOLENOID 高温注意ラベル |

